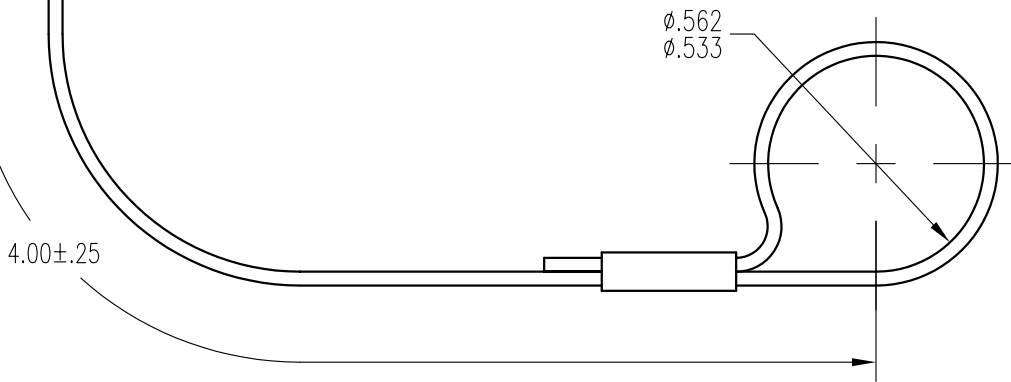
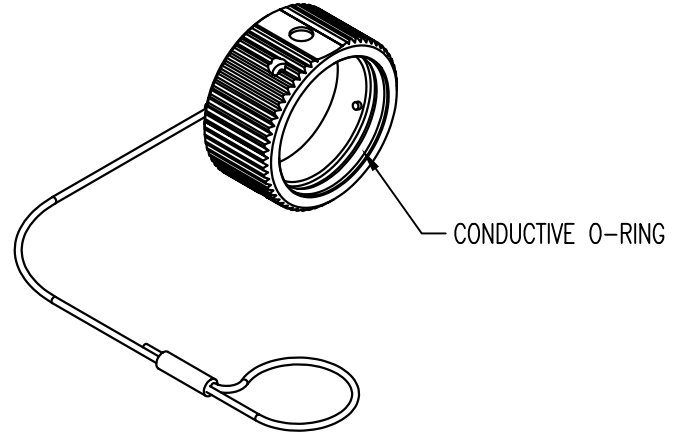
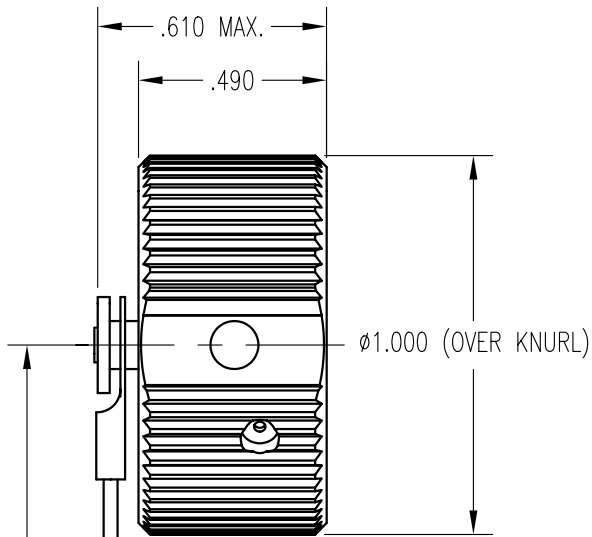


APPLICATIONS		REVISIONS			
NEXT ASSEMBLY	USED ON	REV.	DESCRIPTION	DATE	APPROVED
		P1	RELEASED FOR PROTOTYPES	07-03-02	CBV



FILE NAME: MC888.dwg

UNLESS OTHERWISE SPECIFIED
DIMENSIONS ARE IN INCHES
TOLERANCES ARE:
FRACTIONS DECIMALS ANGLES
 $\pm 1/64$.XX $\pm .01$ $\pm 1/2^\circ$
.XXX $\pm .003$

THE INFORMATION DISCLOSED IN
THIS DOCUMENT IS CONFIDENTIAL
AND PROPRIETARY TO MIL-CON,
INC. AND MAY NOT BE USED FOR
MANUFACTURE OR ANY OTHER
PURPOSE WITHOUT THE WRITTEN
CONSENT OF MIL-CON, INC.

CONTRACT NO.	
APPROVALS	DATE
DRAWN C. Velasco	7/3/2002
CHECKED A. Huevo	2/7/2003
ISSUED	

MIL-CONTM
AN AFFILIATE OF THE PHOENIX COMPANY OF CHICAGO

MC888 DUST COVER

SIZE A	FSCM NO. 63525	DWG. NO. SD: MC888	REV. P1
------------------	--------------------------	-----------------------	------------

DO NOT SCALE DRAWING

SCALE NONE SHEET 1 OF 1

SPECIFICATIONS:

- 1) MATERIALS:
COVER AND FASTENER: STAINLESS STEEL
CORD: $\emptyset 1/32$ STAINLESS STEEL
TERMINALS: STAINLESS STEEL
O-RING: ELECTRICALLY CONDUCTIVE SILICONE RUBBER
- 2) FINISHES/COLOR:
COVER AND FASTENER: PASSIVATED, SAND BLASTED
CORD: NYLON COATED
TERMINALS: PASSIVATED
O-RING: BLACK
- 3) DUST CAP MATES WITH MC-A3245088-X AND MC088 SERIES CONNECTORS.
- 4) UNLESS OTHERWISE SPECIFIED, DIMENSIONS SHOWN ARE FOR REFERENCE ONLY.

MIL-CONTM

FILE NAME: MC888

DRAWN C. Velasco	SIZE A	FSCM NO. 63525	DWG. NO. SD: MC888	REV. P1
ISSUED	SCALE NTS		SHEET 2	OF 2