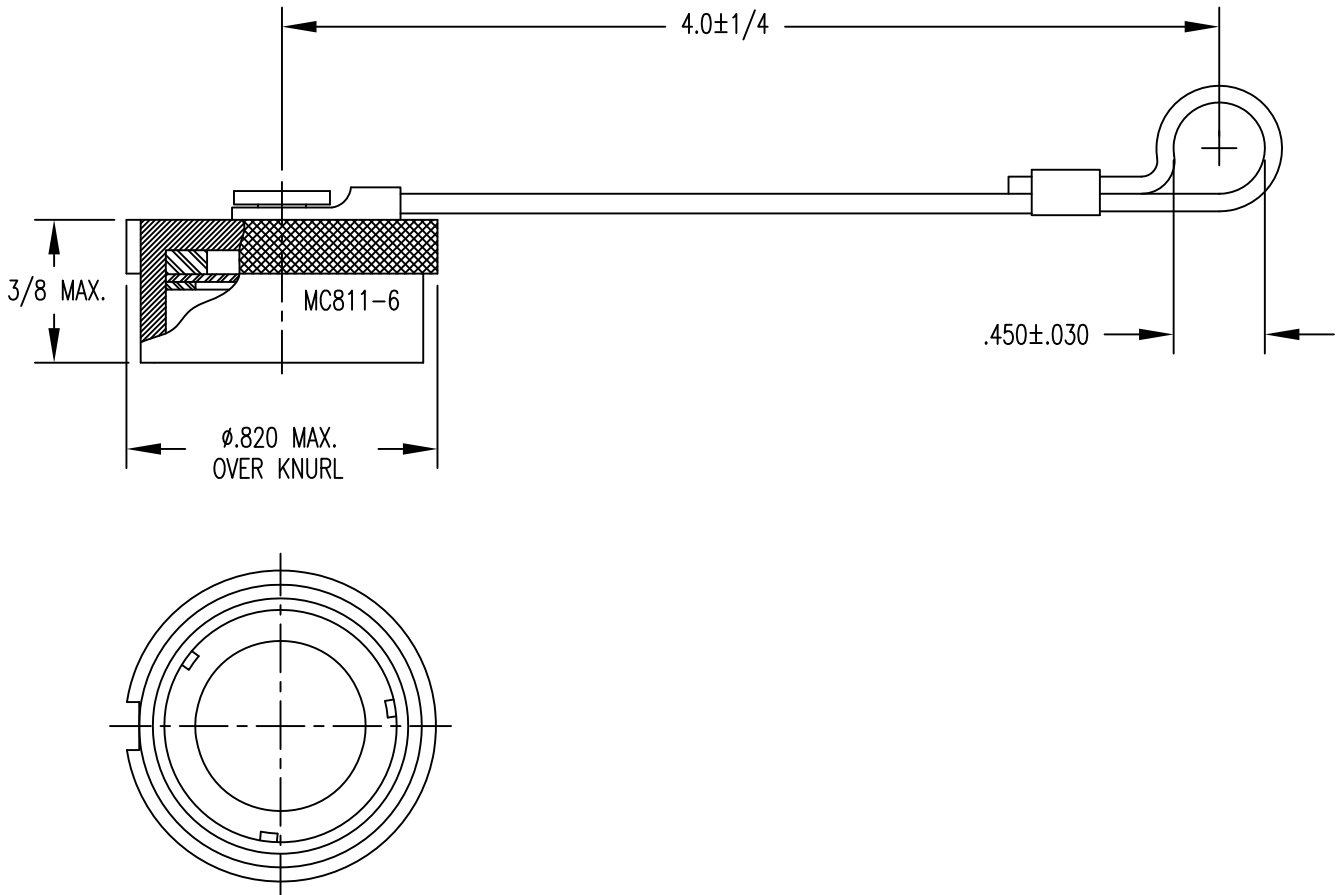


APPLICATIONS		REVISIONS			
NEXT ASSEMBLY	USED ON	REV.	DESCRIPTION	DATE	APPROVED
		S1	PRELIMINARY RELEASE TO SALES	2-2-96	AG



FILE NAME: MC811-6.dwg

UNLESS OTHERWISE SPECIFIED
DIMENSIONS ARE IN INCHES
TOLERANCES ARE:
FRACTIONS DECIMALS ANGLES
 $\pm 1/64$.XX $\pm .01$ $\pm 1/2^\circ$
 .XXX $\pm .003$

THE INFORMATION DISCLOSED IN
THIS DOCUMENT IS CONFIDENTIAL
AND PROPRIETARY TO MIL-CON,
INC. AND MAY NOT BE USED FOR
MANUFACTURE OR ANY OTHER
PURPOSE WITHOUT THE WRITTEN
CONSENT OF MIL-CON, INC.

CONTRACT NO.	
APPROVALS	DATE
DRAWN A. Green	02/02/96
CHECKED	
ISSUED	

MIL-CONTM
AN AFFILIATE OF THE PHOENIX COMPANY OF CHICAGO

MC811-6 DUST CAP

SIZE A	FSCM NO. 63525	DWG. NO. SD: MC811-6	REV. S1
-----------	-------------------	-------------------------	------------

DO NOT SCALE DRAWING

SCALE NONE SHEET 1 OF 2

SPECIFICATIONS:

- 1) MATERIALS:
 - COVER AND FASTENER: ALUMINUM ALLOY
 - GASKETS: CONDUCTIVE AND SPONGE RUBBER
 - CORD: NYLON
 - TERMINAL LUGS: COPPER
 - FERRULE: BRASS

- 2) FINISHES/COLOR:
 - COVER & FASTENER: BLACK ANODIC
 - CORD: OLIVE DRAB
 - TERMINAL LUGS: OLIVE DRAB OVER CADMIUM
 - FERRULE: OLIVE DRAB OVER CADMIUM

- 3) MC811-6 EMI/DUST CAP MATES WITH:
 - MC183 - ALL VERSIONS
 - MC283 - ALL VERSIONS
 - MC228 - ALL VERSIONS
 - MC328 - ALL VERSIONS
 - MC183S- ALL VERSIONS
 - MC683S- ALL VERSIONS

MIL-CON TM	FILE NAME: MC811-6.dwg			
	SIZE	FSCM NO.	DWG. NO.	REV.
	A	63525	SD: MC811-6	S1
DRAWN A. Green	SCALE	NONE	SHEET 2	OF 2
ISSUED				