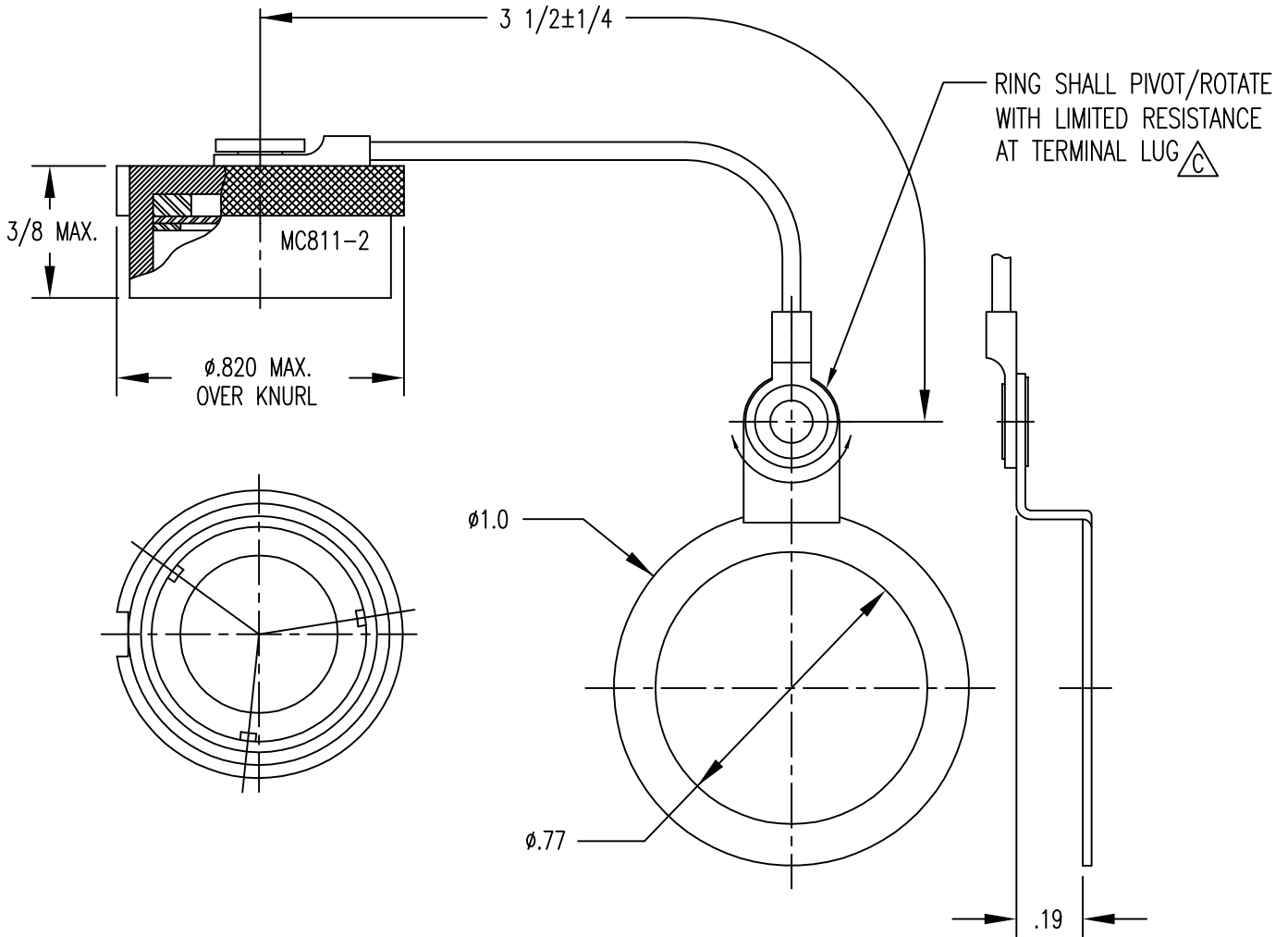


APPLICATIONS		REVISIONS			
NEXT ASSEMBLY	USED ON	REV.	DESCRIPTION	DATE	APPROVED
		A	RELEASED TO SALES	2-2-96	AG
		B	UPDATED FINISH TYPES; ECO2711	3-21-00	CBV
		C	ADDED PIVOT NOTE; ECO:07149	11-17-14	AH

WARNING - THIS DOCUMENT CONTAINS TECHNICAL DATA WHOSE EXPORT IS RESTRICTED BY THE ARMS EXPORT CONTROL ACT (TITLE 22, U.S.C., SEC 2751, ET. SEQ.) OR THE EXPORT ADMINISTRATION ACT OF 1979, AS AMENDED, TITLE 50, U.S.C., APP 2401 ET SEQ. VIOLATIONS OF THESE EXPORT LAWS ARE SUBJECT TO SEVERE CRIMINAL PENALTIES. DISSEMINATE IN ACCORDANCE WITH PROVISIONS OF DOD DIRECTIVE 5230.25.



FILE NAME: MC811-2.dwg

UNLESS OTHERWISE SPECIFIED DIMENSIONS ARE IN INCHES TOLERANCES ARE: FRACTIONS DECIMALS ANGLES $\pm 1/64$.XX $\pm .01$ $\pm 1/2^\circ$.XXX $\pm .003$	CONTRACT NO.		MIL-CON™ AN AFFILIATE OF THE PHOENIX COMPANY OF CHICAGO					
	APPROVALS	DATE				MC811-2 EMI/DUST CAP		
THE INFORMATION DISCLOSED IN THIS DOCUMENT IS CONFIDENTIAL AND PROPRIETARY TO MIL-CON, INC. AND MAY NOT BE USED FOR MANUFACTURE OR ANY OTHER PURPOSE WITHOUT THE WRITTEN CONSENT OF MIL-CON, INC.	DRAWN	A. Green	06/01/90	SIZE	FSCM NO.	DWG. NO.	REV.	
	CHECKED	A. Huevo	11/17/14	A	63525	SD: MC811-2	C	
	ISSUED			SCALE	NTS	SHEET	1	OF

SPECIFICATIONS:

- 1) MATERIALS:
COVER AND FASTENER: ALUMINUM ALLOY
GASKETS: CONDUCTIVE AND SPONGE RUBBER
CORD: NYLON
TERMINAL LUGS: COPPER
RING: STAINLESS STEEL
EYELET: BRASS

- 2) FINISHES/COLOR:
COVER & FASTENER: BLACK ANODIC
CORD: OLIVE DRAB
TERMINAL LUGS: OLIVE DRAB OVER CADMIUM \triangle
EYELET: CLEAR CHROMATE OVER CADMIUM \triangle _B

- 3) MC811-2 EMI/DUST CAP MATES WITH:
MC183 - ALL VERSIONS
MC283 - ALL VERSIONS
MC228 - ALL VERSIONS
MC328 - ALL VERSIONS
MC183S- ALL VERSIONS
MC683S- ALL VERSIONS

MIL-CONTM

FILE NAME: MC811-2.dwg

DRAWN A. Green	SIZE A	FSCM NO. 63525	DWG. NO. SD: MC811-2	REV. C
ISSUED	SCALE NTS		SHEET 2	OF 2