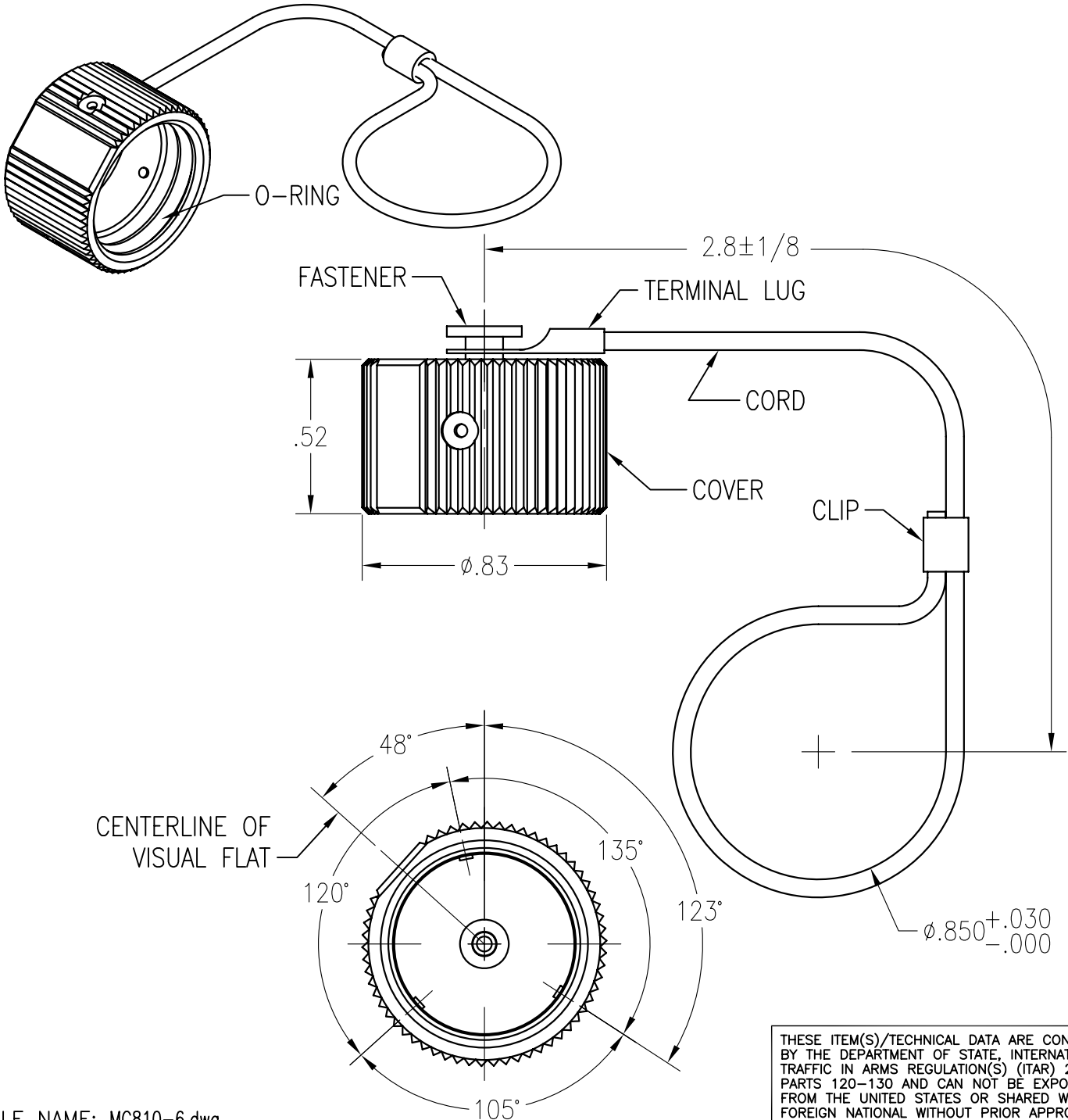


APPLICATIONS		REVISIONS			
NEXT ASSEMBLY	USED ON	REV.	DESCRIPTION	DATE	APPROVED
		2	PRELIMINARY RELEASE	11-17-09	AH
		A	RELEASED TO PRODUCTION	11-24-09	AH



FILE NAME: MC810-6.dwg

THESE ITEM(S)/TECHNICAL DATA ARE CONTROLLED BY THE DEPARTMENT OF STATE, INTERNATIONAL TRAFFIC IN ARMS REGULATION(S) (ITAR) 22 CFR PARTS 120-130 AND CAN NOT BE EXPORTED FROM THE UNITED STATES OR SHARED WITH A FOREIGN NATIONAL WITHOUT PRIOR APPROVAL FROM THE UNITED STATES GOVERNMENT.

UNLESS OTHERWISE SPECIFIED DIMENSIONS ARE IN INCHES TOLERANCES ARE:
 FRACTIONS DECIMALS ANGLES
 $\pm 1/64$.XX ± 0.01 $\pm 1/2^\circ$
 .XXX ± 0.003

THE INFORMATION DISCLOSED IN THIS DOCUMENT IS CONFIDENTIAL AND PROPRIETARY TO MIL-CON, INC. AND MAY NOT BE USED FOR MANUFACTURE OR ANY OTHER PURPOSE WITHOUT THE WRITTEN CONSENT OF MIL-CON, INC.

CONTRACT NO.	
APPROVALS	DATE
DRAWN A. Huezo	11/16/09
CHECKED C. Velasco	11/24/09
ISSUED	

MIL-CON TM AN AFFILIATE OF THE PHOENIX COMPANY OF CHICAGO			
MC810-6 DUST COVER			
SIZE A	FSCM NO. 63525	DWG. NO. SD: MC810-6	REV. A

SPECIFICATIONS:

1) MATERIALS:

COVER AND FASTENER: STAINLESS STEEL

O-RING: NEOPRENE

CORD: NYLON

TERMINAL LUG AND CLIP: COPPER

2) FINISHES/COLOR:

COVER & FASTENER: SAND BLASTED, PASSIVATED

CORD: OLIVE DRAB

TERMINAL LUG AND CLIP: OLIVE DRAB OVER CADMIUM

3) MC810-6 DUST CAP MATES WITH:

MC183 - ALL VERSIONS.

MC283 - ALL VERSIONS.

MC228 - ALL VERSIONS.

MC328 - ALL VERSIONS.

MC183S - ALL VERSIONS.

MC683S - ALL VERSIONS.

4) DIMENSIONS ARE FOR REFERENCE ONLY, UNLESS OTHERWISE SPECIFIED

MIL-CONTM

FILE NAME: MC810-6.dwg

DRAWN A. Huevo

SIZE
A

FSCM NO.

63525

DWG. NO.

SD: MC810-6

REV.

A

ISSUED

SCALE NONE

SHEET 2 OF 2