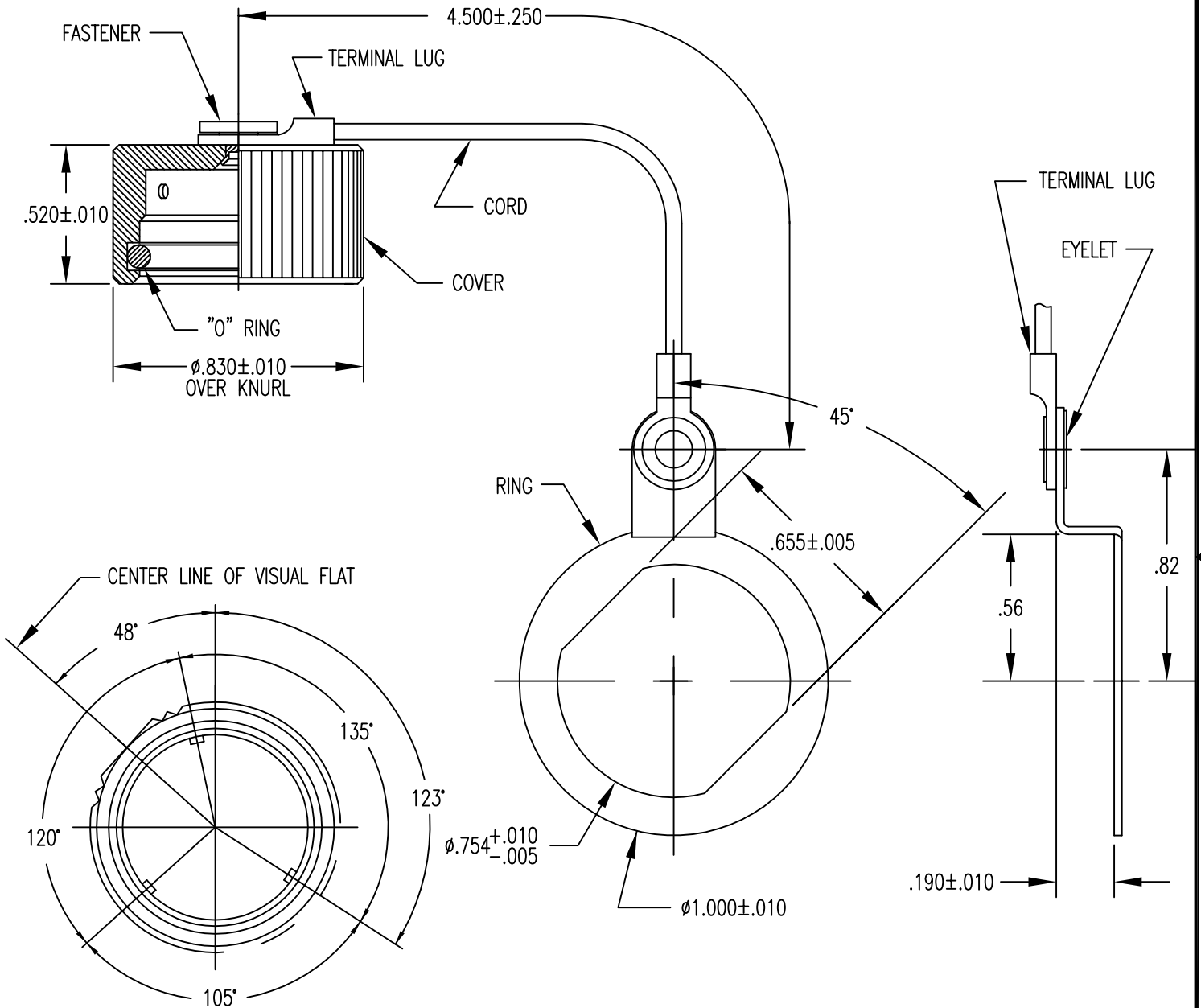


APPLICATIONS		REVISIONS			
NEXT ASSEMBLY	USED ON	REV.	DESCRIPTION	DATE	APPROVED
		1/V	RELEASED TO SALES	01-21-10	AH



BAYONET PIN POSITIONS FOR REFERENCE ONLY

FILE NAME: MC810-5.dwg

UNLESS OTHERWISE SPECIFIED  
DIMENSIONS ARE IN INCHES  
TOLERANCES ARE:  
FRACTIONS DECIMALS ANGLES  
±1/64 .XX ±.01 ±1/2°  
.XXX ±.003

THE INFORMATION DISCLOSED IN  
THIS DOCUMENT IS CONFIDENTIAL  
AND PROPRIETARY TO MIL-CON,  
INC. AND MAY NOT BE USED FOR  
MANUFACTURE OR ANY OTHER  
PURPOSE WITHOUT THE WRITTEN  
CONSENT OF MIL-CON, INC.

CONTRACT NO.	
APPROVALS	DATE
DRAWN A. Huezo	01/20/10
CHECKED A. Huezo	01/21/10
ISSUED	

<b>MIL-CON™</b> AN AFFILIATE OF THE PHOENIX COMPANY OF CHICAGO			
MC810-5 DUST CAP			
SIZE A	FSCM NO. 63525	DWG. NO. SD: MC810-5	REV. 1/V

SPECIFICATIONS:

- 1) MATERIALS:
  - COVER AND FASTENER: STAINLESS STEEL
  - "O" RING: NEOPRENE
  - CORD: STAINLESS STEEL
  - TERMINAL LUGS: STAINLESS STEEL
  - RING: STAINLESS STEEL
  - EYELET: BRASS
  
- 2) FINISHES/COLOR:
  - COVER & FASTENER: SAND BLASTED, PASSIVATED
  - EYELET: CLEAR CHROMATE OVER CADMIUM
  
- 3) MC810-5 DUST CAP MATES WITH:
  - MC183 - ALL VERSIONS
  - MC283 - ALL VERSIONS
  - MC228 - ALL VERSIONS
  - MC328 - ALL VERSIONS
  - MC183S- ALL VERSIONS
  - MC683S- ALL VERSIONS

<b>MIL-CON</b> <sup>TM</sup>	FILE NAME: MC810-5.dwg			
	SIZE <b>A</b>	FSCM NO. <b>63525</b>	DWG. NO. SD: MC810-5	REV. 1/V
	DRAWN A. Huevo	SCALE NONE	SHEET 2 OF 2	
ISSUED				