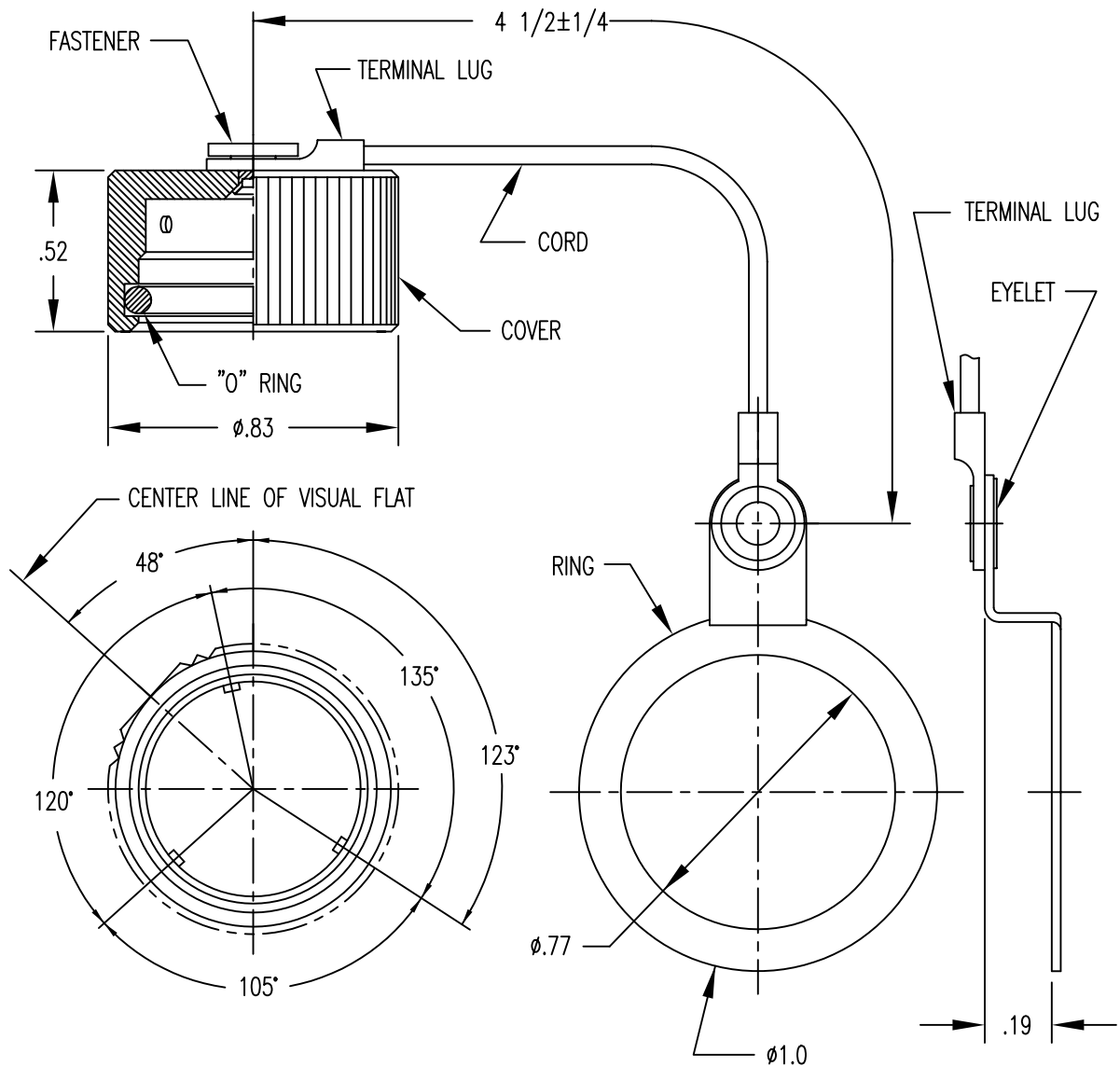


APPLICATIONS		REVISIONS			
NEXT ASSEMBLY	USED ON	REV.	DESCRIPTION	DATE	APPROVED
		0	PRELIMINARY RELEASE	04-21-05	CBV
		A	RELEASED FOR PRODUCTION	05-02-05	CBV



FILE NAME: MC810-3.dwg

UNLESS OTHERWISE SPECIFIED
DIMENSIONS ARE IN INCHES
TOLERANCES ARE:
FRACTIONS DECIMALS ANGLES
±1/64 .XX ±.01 ±1/2°
.XXX ±.003

THE INFORMATION DISCLOSED IN
THIS DOCUMENT IS CONFIDENTIAL
AND PROPRIETARY TO MIL-CON,
INC. AND MAY NOT BE USED FOR
MANUFACTURE OR ANY OTHER
PURPOSE WITHOUT THE WRITTEN
CONSENT OF MIL-CON, INC.

CONTRACT NO.	
APPROVALS	DATE
DRAWN C. Velasco	04/21/05
CHECKED A. Huevo	05/02/05
ISSUED	

MIL-CONTM
AN AFFILIATE OF THE PHOENIX COMPANY OF CHICAGO

MC810-3 DUST CAP

SIZE A	FSCM NO. 63525	DWG. NO. SD: MC810-3	REV. A
SCALE NONE	SHEET 1 OF 2		

DO NOT SCALE DRAWING

SPECIFICATIONS:

- 1) MATERIALS:
 - COVER AND FASTENER: STAINLESS STEEL
 - "O" RING: CONDUCTIVE SILICONE
 - CORD: STAINLESS STEEL
 - TERMINAL LUGS: STAINLESS STEEL
 - RING: STAINLESS STEEL
 - EYELET: BRASS

- 2) FINISHES/COLOR:
 - COVER & FASTENER: SAND BLASTED, PASSIVATED
 - EYELET: CLEAR CHROMATE OVER CADMIUM

- 3) MC810-3 DUST CAP MATES WITH:
 - MC183 - ALL VERSIONS
 - MC283 - ALL VERSIONS
 - MC228 - ALL VERSIONS
 - MC328 - ALL VERSIONS
 - MC183S- ALL VERSIONS
 - MC683S- ALL VERSIONS

MIL-CON TM	FILE NAME: MC810-3.dwg			
	SIZE	FSCM NO.	DWG. NO.	REV.
	A	63525	SD: MC810-3	A
DRAWN C. Velasco	SCALE	NONE	SHEET 2	OF 2
ISSUED				