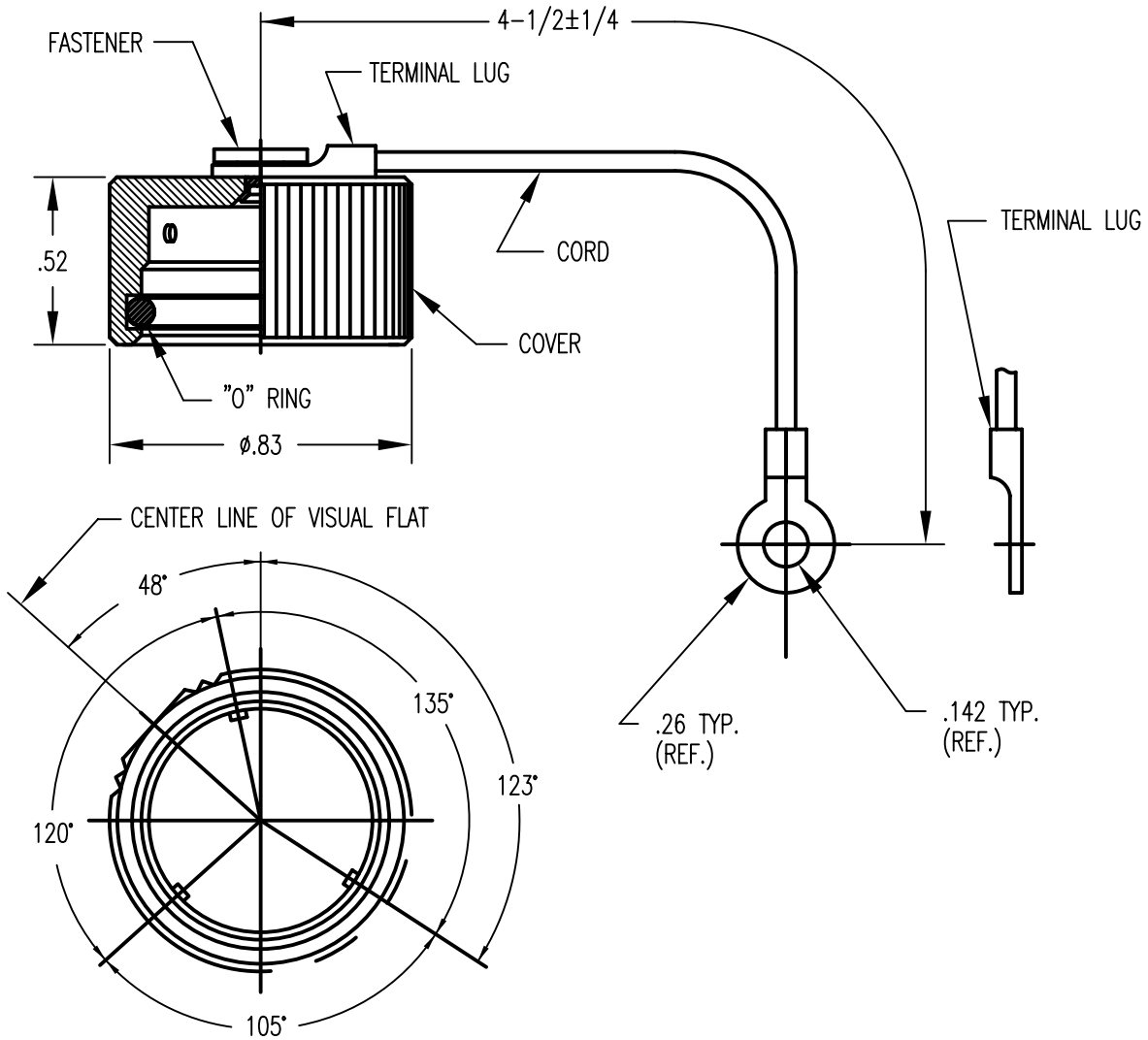


APPLICATIONS		REVISIONS			
NEXT ASSEMBLY	USED ON	REV.	DESCRIPTION	DATE	APPROVED
		A	RELEASED TO SALES	12-14-93	DRP



UNLESS OTHERWISE SPECIFIED
DIMENSIONS ARE IN INCHES
TOLERANCES ARE:
FRACTIONS DECIMALS ANGLES
±1/64 .XX ±.01 ±1/2°
XXX ±.005

THE INFORMATION DISCLOSED IN
THIS DOCUMENT IS CONFIDENTIAL
AND PROPRIETARY TO ML-CON,
INC. AND MAY NOT BE USED FOR
MANUFACTURE OR ANY OTHER
PURPOSE WITHOUT THE WRITTEN
CONSENT OF ML-CON, INC.

CONTRACT NO.	
APPROVALS	DATE
DRAWN DRP	12/93
CHECKED AG	12/93
ISSUED	

Mil-Con Inc
Wood Dale, Illinois 60191

MC810-1 DUST CAP

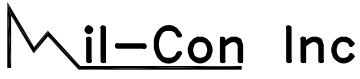
SIZE A	FSCM NO. 63525	DWG. NO. SD: MC810-1	REV. A
------------------	--------------------------	-------------------------	-----------

SPECIFICATIONS:

- 1) MATERIALS:
COVER AND FASTENER: STAINLESS STEEL
"O" RING: NEOPRENE
CORD: STAINLESS STEEL
TERMINAL LUGS: STAINLESS STEEL

- 2) FINISHES/COLOR:
COVER & FASTENER: SAND BLASTED, PASSIVATED

MC183 - ALL VERSIONS
MC283 - ALL VERSIONS
MC228 - ALL VERSIONS
MC328 - ALL VERSIONS
MC183S- ALL VERSIONS
MC683S- ALL VERSIONS

	SIZE	FSCM NO.	DWG. NO.	REV.
	A	63525	SD: MC810-1	A
DRAWN DRP	SCALE NONE	F/N: S810-1P2	SHEET 2	OF 2
ISSUED 12/93				