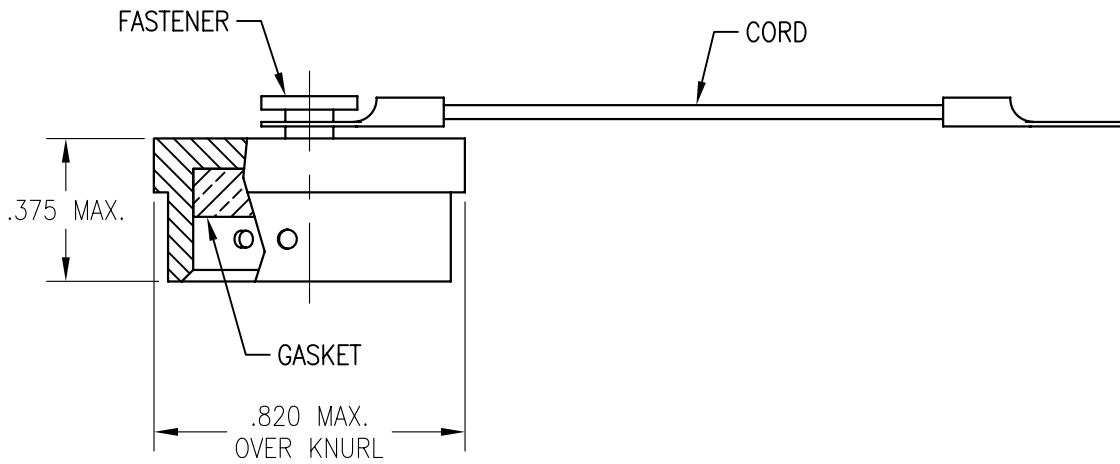
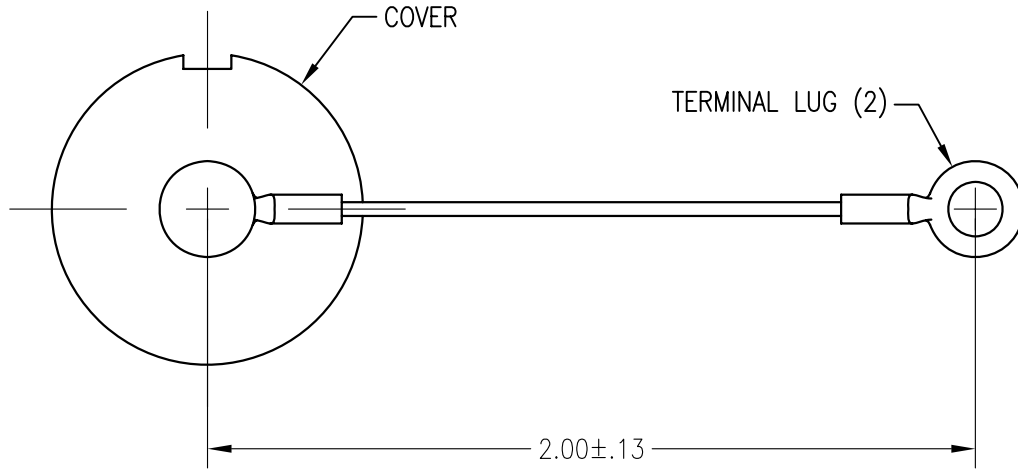


APPLICATIONS		REVISIONS			
NEXT ASSEMBLY	USED ON	REV.	DESCRIPTION	DATE	APPROVED
		P1	RELEASED FOR PROTOTYPES	07-16-07	CBV



FILE NAME: MC800-8.dwg

UNLESS OTHERWISE SPECIFIED
DIMENSIONS ARE IN INCHES
TOLERANCES ARE:
FRACTIONS DECIMALS ANGLES
±1/64 .XX ±.01 ±1/2°
.XXX ±.003

CONTRACT NO.	
APPROVALS	DATE

MIL-CON™
AN AFFILIATE OF THE PHOENIX COMPANY OF CHICAGO

MC800-8 DUST CAP

DRAWN C. Velasco	07/16/07
CHECKED A. Huevo	07/16/07
ISSUED	

THE INFORMATION DISCLOSED IN
THIS DOCUMENT IS CONFIDENTIAL
AND PROPRIETARY TO MIL-CON,
INC. AND MAY NOT BE USED FOR
MANUFACTURE OR ANY OTHER
PURPOSE WITHOUT THE WRITTEN
CONSENT OF MIL-CON, INC.

DO NOT SCALE DRAWING

SIZE A	FSCM NO. 63525	DWG. NO. SD: MC800-8	REV. P1
SCALE NONE	SHEET 1 OF 2		

SPECIFICATIONS:

1) MATERIALS:

COVER AND FASTENER: ALUMINUM ALLOY.
GASKET: SPONGE RUBBER.
CORD AND TERMINAL LUGS: STAINLESS STEEL.

2) FINISHES AND COLOR:

COVER AND FASTENER: BLACK ANODIZED.
CORD AND TERMINAL LUGS: PASSIVATED.

3) MC800-8 DUST CAP MATES WITH:

MC183 - ALL VERSIONS.
MC283 - ALL VERSIONS.
MC228 - ALL VERSIONS.
MC328 - ALL VERSIONS.
MC183S - ALL VERSIONS.
MC683S - ALL VERISONS.
MC-ON241775-X.

4) UNLESS OTHERWISE SPECIFIED, DIMENSIONS SHOWN
ARE FOR REFERENCE ONLY.

MIL-CONTM

FILE NAME: MC800-8.dwg

DRAWN C. Velasco

SIZE
A

FSCM NO.
63525

DWG. NO.
SD: MC800-8

REV.
P1

ISSUED

SCALE NONE

SHEET 2 OF 2