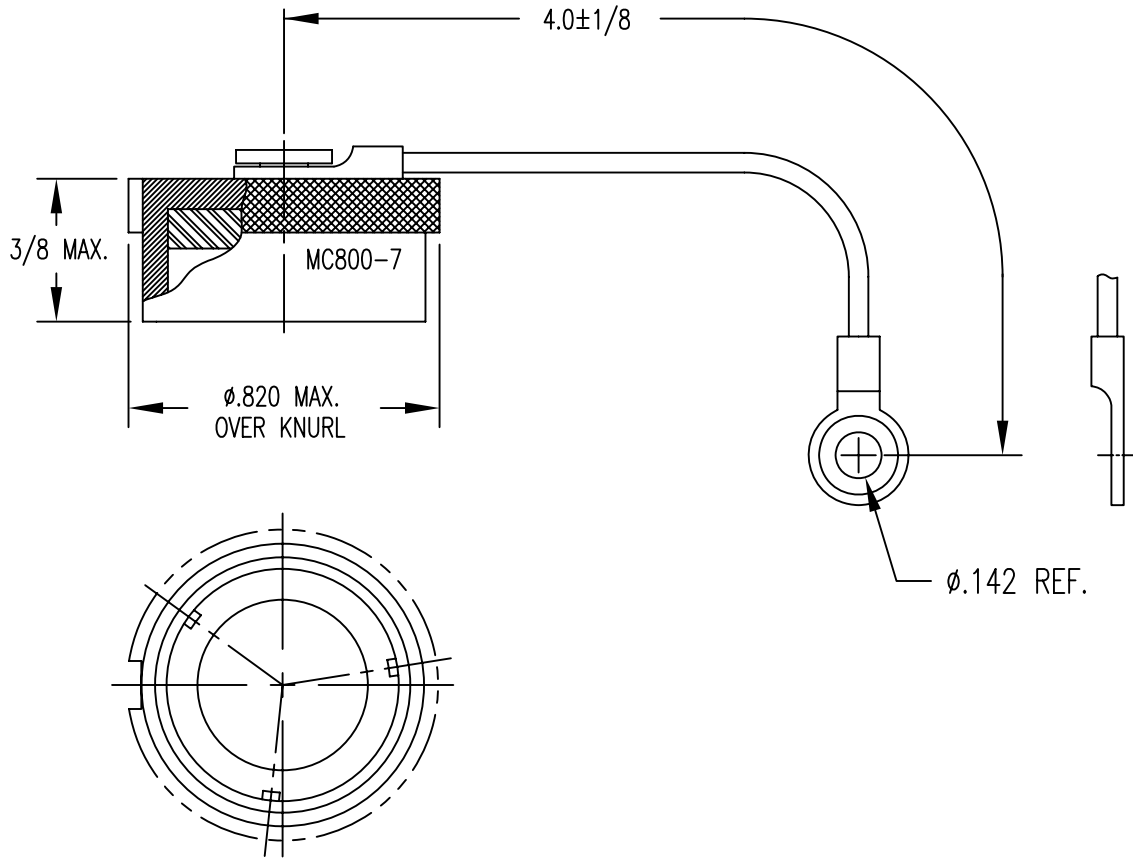


APPLICATIONS		REVISIONS			
NEXT ASSEMBLY	USED ON	REV.	DESCRIPTION	DATE	APPROVED
		A	RELEASED TO SALES	12-02-10	JAA



THESE ITEM(S)/TECHNICAL DATA ARE CONTROLLED BY THE DEPARTMENT OF STATE, INTERNATIONAL TRAFFIC IN ARMS REGULATION(S) (ITAR) 22 CFR PARTS 120-130 AND CAN NOT BE EXPORTED FROM THE UNITED STATES OR SHARED WITH A FOREIGN NATIONAL WITHOUT PRIOR APPROVAL FROM THE UNITED STATES GOVERNMENT.

FILE NAME: MC800-7.dwg

UNLESS OTHERWISE SPECIFIED DIMENSIONS ARE IN INCHES TOLERANCES ARE:
 FRACTIONS DECIMALS ANGLES
 $\pm 1/64$.XX ± 0.01 $\pm 1/2^\circ$
 .XXX ± 0.003

THE INFORMATION DISCLOSED IN THIS DOCUMENT IS CONFIDENTIAL AND PROPRIETARY TO MIL-CON, INC. AND MAY NOT BE USED FOR MANUFACTURE OR ANY OTHER PURPOSE WITHOUT THE WRITTEN CONSENT OF MIL-CON, INC.

CONTRACT NO.	
APPROVALS	DATE
DRAWN J. Abrell	12/02/10
CHECKED C. Velasco	12/03/10
ISSUED	

MIL-CONTM
 AN AFFILIATE OF THE PHOENIX COMPANY OF CHICAGO

MC800-7 DUST CAP

SIZE A	FSCM NO. 63525	DWG. NO. SD: MC800-7	REV. A
-----------	-------------------	-------------------------	-----------

DO NOT SCALE DRAWING

SCALE NONE SHEET 1 OF 2

SPECIFICATIONS:

- 1) MATERIALS:
COVER AND FASTENER: ALUMINUM ALLOY
GASKET: SPONGE RUBBER
CORD: STAINLESS STEEL
TERMINAL LUGS: COPPER

- 2) FINISHES/COLOR:
COVER & FASTENER: OLIVE DRAB OVER CADMIUM
CORD: NYLON COVERED
TERMINAL LUGS: OLIVE DRAB OVER CADMIUM

- 3) MC800-7 DUST CAP MATES WITH:
MC183 - ALL VERSIONS
MC283 - ALL VERSIONS
MC228 - ALL VERSIONS
MC328 - ALL VERSIONS
MC183S- ALL VERSIONS
MC683S- ALL VERSIONS

MIL-CONTM

FILE NAME: MC800-7

DRAWN J. Abrell	SIZE A	FSCM NO. 63525	DWG. NO. SD: MC800-7	REV. A
ISSUED	SCALE NONE		SHEET 2	OF 2