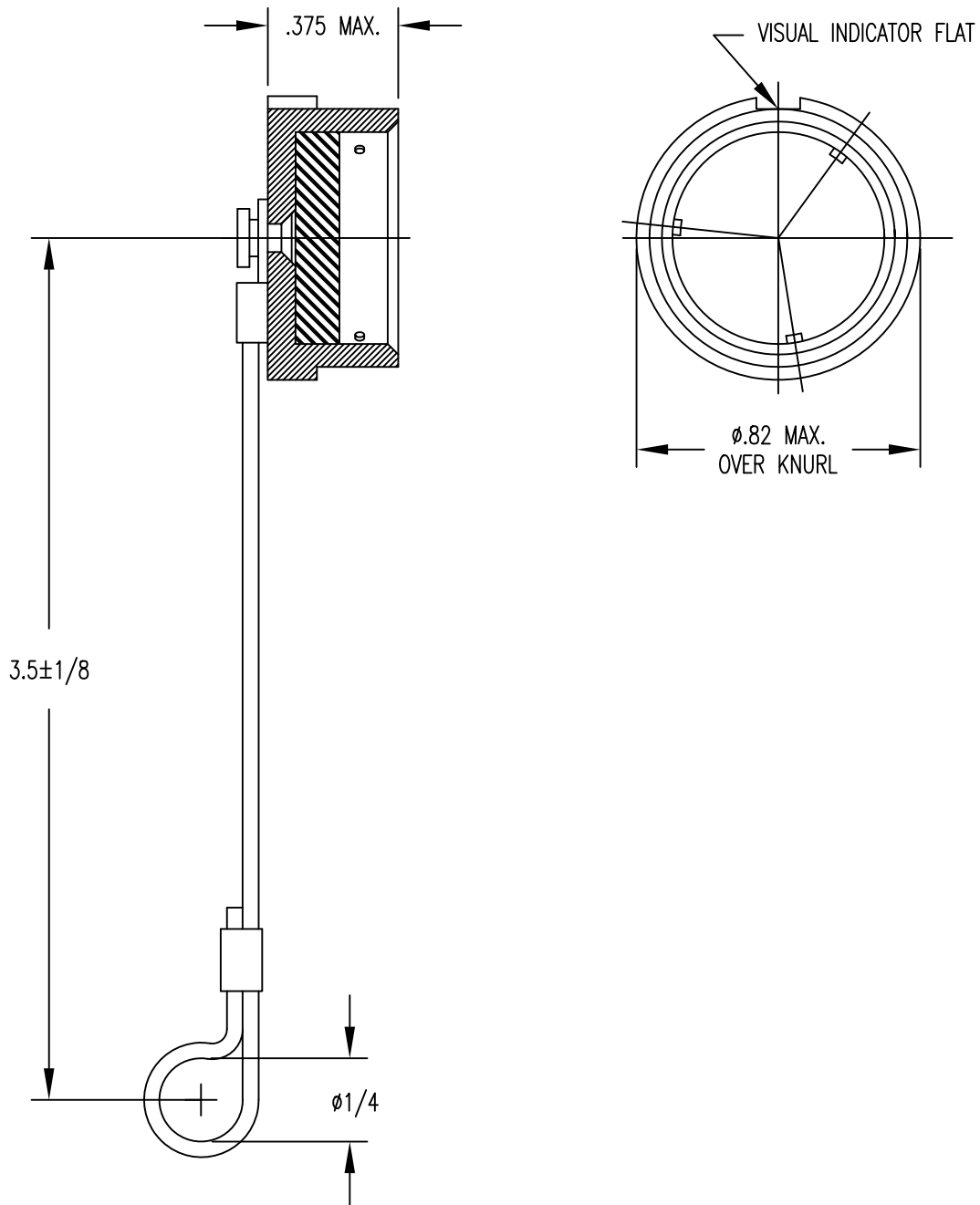


APPLICATIONS		REVISIONS			
NEXT ASSEMBLY	USED ON	REV.	DESCRIPTION	DATE	APPROVED
		S1	RELEASED TO SALES	10-9-96	AH
		A	UPDATED REVISION LEVEL; ECO2515	8-2-99	CBV



FILE NAME: MC800-3.dwg

UNLESS OTHERWISE SPECIFIED
DIMENSIONS ARE IN INCHES
TOLERANCES ARE:
FRACTIONS DECIMALS ANGLES
±1/64 .XX ±.01 ±1/2°
.XXX ±.003

THE INFORMATION DISCLOSED IN
THIS DOCUMENT IS CONFIDENTIAL
AND PROPRIETARY TO MIL-CON,
INC. AND MAY NOT BE USED FOR
MANUFACTURE OR ANY OTHER
PURPOSE WITHOUT THE WRITTEN
CONSENT OF MIL-CON, INC.

CONTRACT NO.	
APPROVALS	DATE
DRAWN A. Huezo	10/09/96
CHECKED	
ISSUED	

MIL-CON™
AN AFFILIATE OF THE PHOENIX COMPANY OF CHICAGO

MC800-3 DUST CAP

SIZE A	FSCM NO. 63525	DWG. NO. SD: MC800-3	REV. A
-----------	-------------------	-------------------------	-----------

DO NOT SCALE DRAWING

SCALE NONE SHEET 1 OF 2

SPECIFICATIONS:

- 1) MATERIALS:
COVER: ALUMINUM ALLOY
FASTENER: ALUMINUM ALLOY
GASKET: SPONGE RUBBER
CORD: NYLON
TERMINAL LUG AND CLIP: COPPER
- 2) FINISHES/COLOR:
COVER AND FASTENER: OLIVE DRAB OVER CADMIUM
TERMINAL LUG AND CLIP: OLIVE DRAB OVER CADMIUM
CORD: OLIVE DRAB
- 3) MC800-3 DUST COVER MATES WITH:
MC183 - ALL VERSIONS
MC283 - ALL VERSIONS
MC228 - ALL VERSIONS
MC328 - ALL VERSIONS
MC183S - ALL VERSIONS
MC683S - ALL VERSIONS
- 4) DIMENSIONS ARE FOR REFERENCE ONLY, UNLESS OTHERWISE SPECIFIED

MIL-CON™	FILE NAME: MC800-3.dwg			
	SIZE A	FSCM NO. 63525	DWG. NO. SD: MC800-3	REV. A
	DRAWN A. Huevo	SCALE NONE	SHEET 2 OF 2	
ISSUED				