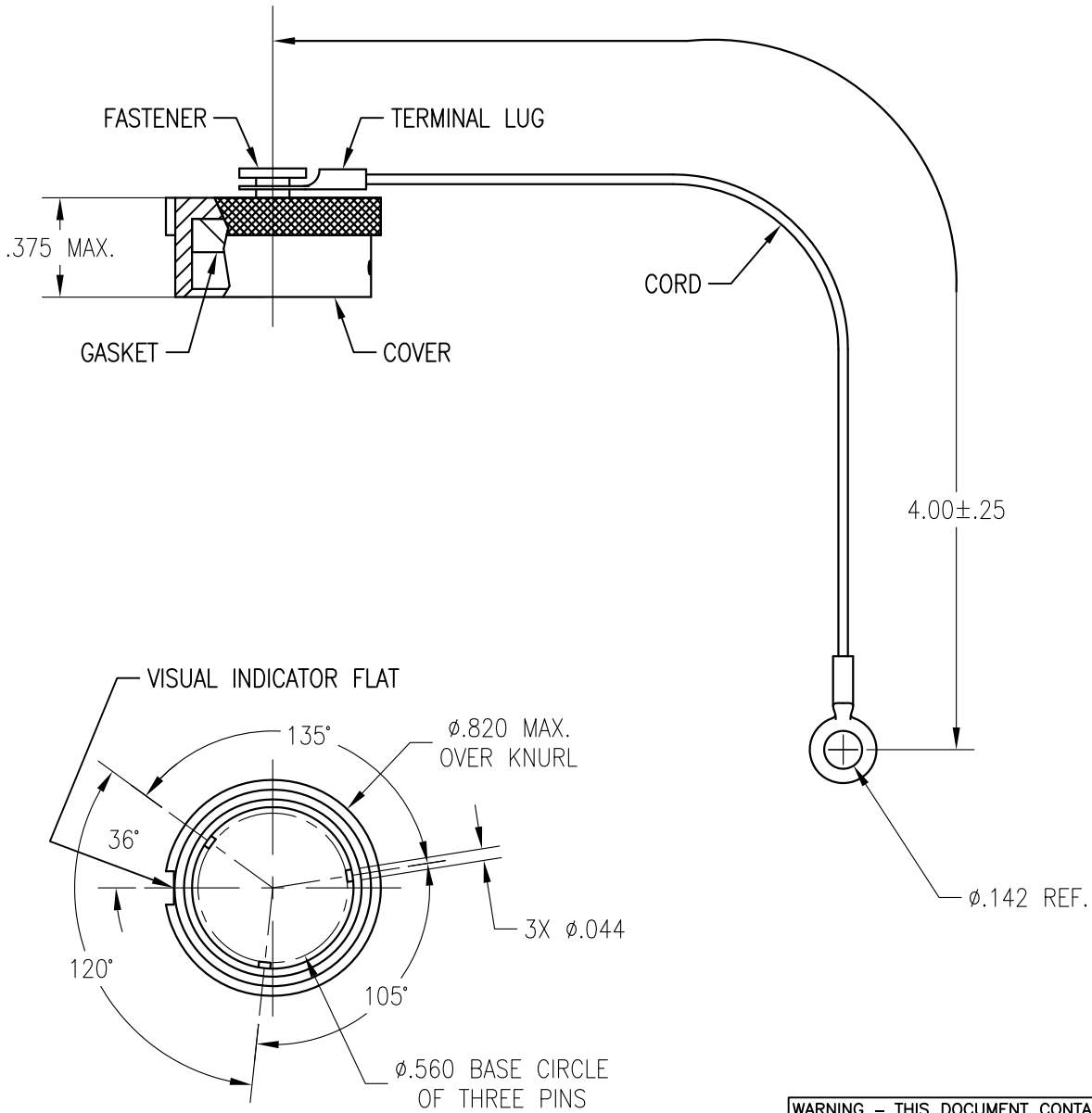


APPLICATIONS		REVISIONS			
NEXT ASSEMBLY	USED ON	REV.	DESCRIPTION	DATE	APPROVED
		A	RELEASED FOR PRODUCTION	09-10-15	AH



WARNING - THIS DOCUMENT CONTAINS TECHNICAL DATA WHOSE EXPORT IS RESTRICTED BY THE ARMS EXPORT CONTROL ACT (TITLE 22, U.S.C., SEC 2751, ET. SEQ.) OR THE EXPORT ADMINISTRATION ACT OF 1979, AS AMENDED, TITLE 50, U.S.C., APP 2401 ET SEQ. VIOLATIONS OF THESE EXPORT LAWS ARE SUBJECT TO SEVERE CRIMINAL PENALTIES. DISSEMINATE IN ACCORDANCE WITH PROVISIONS OF DOD DIRECTIVE 5230.25.

FILE NAME: MC800-13.dwg

<p>UNLESS OTHERWISE SPECIFIED DIMENSIONS ARE IN INCHES TOLERANCES ARE:</p> <table border="1"> <tr> <th>FRACTIONS</th> <th>DECIMALS</th> <th>ANGLES</th> </tr> <tr> <td>±1/64</td> <td>.XX ±.01</td> <td>±1/2°</td> </tr> <tr> <td></td> <td>.XXX ±.003</td> <td></td> </tr> </table>	FRACTIONS	DECIMALS	ANGLES	±1/64	.XX ±.01	±1/2°		.XXX ±.003		CONTRACT NO.		<p>MIL-CONTM AN AFFILIATE OF THE PHOENIX COMPANY OF CHICAGO</p>		
	FRACTIONS	DECIMALS	ANGLES											
±1/64	.XX ±.01	±1/2°												
	.XXX ±.003													
APPROVALS		DATE												
<p>THE INFORMATION DISCLOSED IN THIS DOCUMENT IS CONFIDENTIAL AND PROPRIETARY TO MIL-CON, INC. AND MAY NOT BE USED FOR MANUFACTURE OR ANY OTHER PURPOSE WITHOUT THE WRITTEN CONSENT OF MIL-CON, INC.</p>	DRAWN	A. Huezo	MC800-13 DUST CAP											
	CHECKED	A. Huezo	09/10/15	SIZE	FSCM NO.	DWG. NO.								
	ISSUED			A	63525	SD: MC800-13								
DO NOT SCALE DRAWING			SCALE	NONE	SHEET 1 OF 2	REV. A								

SPECIFICATIONS:

1) MATERIALS:

COVER: ALUMINUM ALLOY
FASTENER: ALUMINUM ALLOY
GASKET: SPONGE RUBBER
TERMINALS: STAINLESS STEEL
CORD: STAINLESS STEEL

2) FINISHES/COLOR:

COVER: BLACK ANODIZE
FASTENER: BLACK ANODIZE
TERMINALS: PASSIVATED
CORD: PASSIVATED, NYLON COATED

3) MC800-13 DUST CAP MATES WITH:

MC183 - ALL VERSIONS
MC283 - ALL VERSIONS
MC228 - ALL VERSIONS
MC328 - ALL VERSIONS
MC183S - ALL VERSIONS
MC683S - ALL VERSIONS
MC-ON241775-X

4) UNLESS OTHERWISE SPECIFIED, DIMENSIONS ARE FOR REFERENCE ONLY.

MIL-CON TM	FILE NAME: MC800-13.dwg			
	SIZE	FSCM NO.	DWG. NO.	REV.
	A	63525	SD: MC800-13	A
DRAWN A. Huevo	SCALE	NONE	SHEET 2	OF 2
ISSUED				