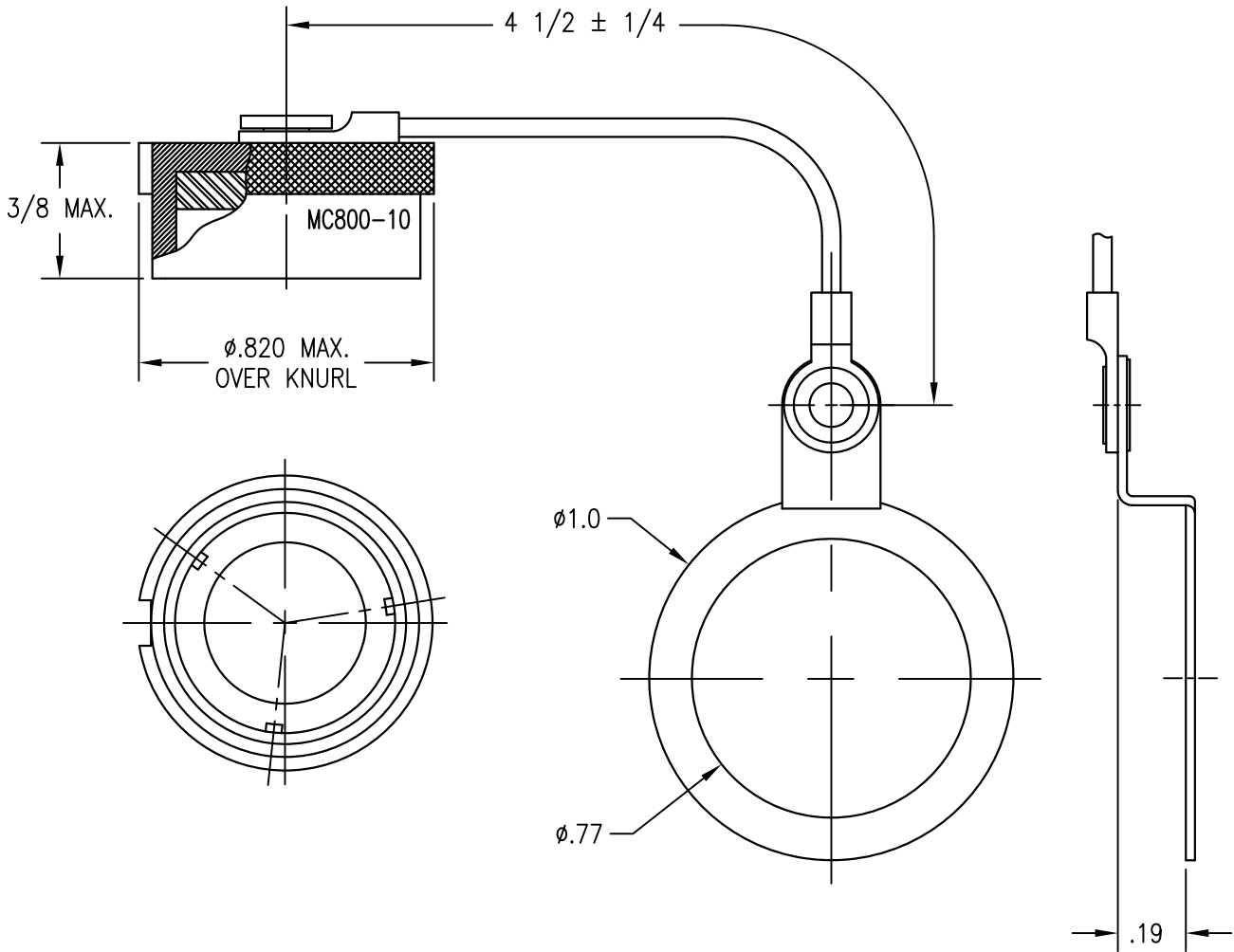


| APPLICATIONS | | REVISIONS | | | |
|---------------|---------|-----------|-------------------|----------|----------|
| NEXT ASSEMBLY | USED ON | REV. | DESCRIPTION | DATE | APPROVED |
| | | 0 | RELEASED TO SALES | 05-17-10 | CBV |



WARNING - THIS DOCUMENT CONTAINS TECHNICAL DATA WHOSE EXPORT IS RESTRICTED BY THE ARMS EXPORT CONTROL ACT (TITLE 22, U.S.C., SEC 2751, ET. SEQ.) OR THE EXPORT ADMINISTRATION ACT OF 1979, AS AMENDED, TITLE 50, U.S.C., APP 2401 ET SEQ. VIOLATIONS OF THESE EXPORT LAWS ARE SUBJECT TO SEVERE CRIMINAL PENALTIES. DISSEMINATE IN ACCORDANCE WITH PROVISIONS OF DOD DIRECTIVE 5230.25.

FILE NAME: MC800-10.dwg

UNLESS OTHERWISE SPECIFIED DIMENSIONS ARE IN INCHES TOLERANCES ARE:
 FRACTIONS DECIMALS ANGLES
 $\pm 1/64$.XX $\pm .01$ $\pm 1/2^\circ$
 .XXX $\pm .003$

THE INFORMATION DISCLOSED IN THIS DOCUMENT IS CONFIDENTIAL AND PROPRIETARY TO MIL-CON, INC. AND MAY NOT BE USED FOR MANUFACTURE OR ANY OTHER PURPOSE WITHOUT THE WRITTEN CONSENT OF MIL-CON, INC.

| | | | |
|---------------------|----------|---|-------------------|
| CONTRACT NO. | | MIL-CON TM AN AFFILIATE OF THE PHOENIX COMPANY OF CHICAGO | |
| APPROVALS | DATE | MC800-10 DUST CAP | |
| DRAWN C. Velasco | 05/17/10 | SIZE A | FSCM NO. 63525 |
| CHECKED | | DWG. NO. | SD: MC800-10 |
| ISSUED | | REV. | 0 |

DO NOT SCALE DRAWING

SCALE NONE SHEET 1 OF 2

SPECIFICATIONS:

1) MATERIALS:

COVER AND FASTENER: ALUMINUM ALLOY
GASKET: SPONGE RUBBER
CORD: STAINLESS STEEL
TERMINAL LUGS: STAINLESS STEEL
RING: STAINLESS STEEL
EYELET: BRASS

2) FINISHES/COLOR:

COVER AND FASTENER: OLIVE DRAB OVER CADMIUM
RING: SAND BLASTED, PASSIVATED
EYELET: CLEAR CHROMATE OVER CADMIUM

3) MC800-10 DUST CAP MATES WITH:

MC183 - ALL VERSIONS
MC283 - ALL VERSIONS
MC228 - ALL VERSIONS
MC328 - ALL VERSIONS
MC183S - ALL VERSIONS
MC683S - ALL VERSIONS

| | | | | |
|------------------------------|-------------------------|--------------------------|--------------------------|-----------|
| <i>MIL-CON</i> TM | FILE NAME: MC800-10.dwg | | | |
| | SIZE A | FSCM NO. 63525 | DWG. NO. SD: MC800-10 | REV. 0 |
| | DRAWN C. Velasco | SCALE NONE | SHEET 2 OF 2 | |
| ISSUED | | | | |