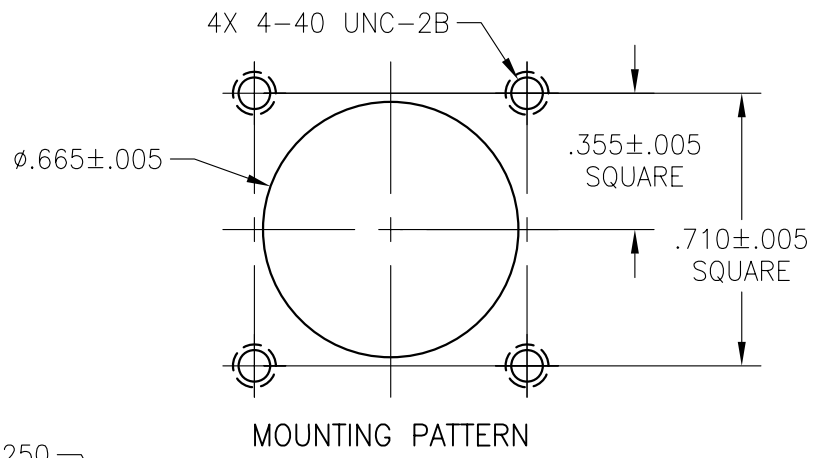
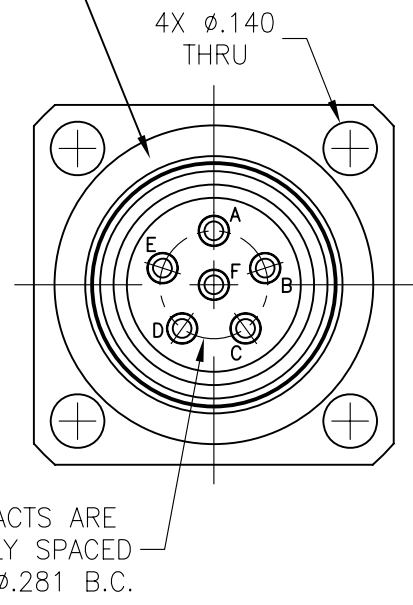
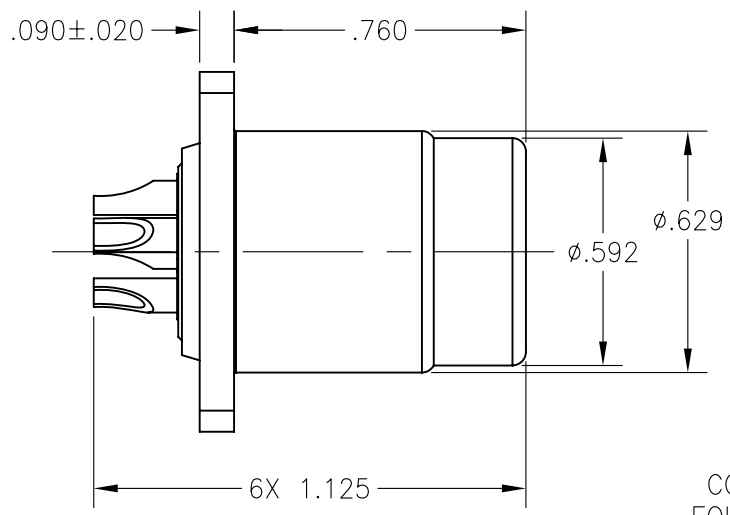
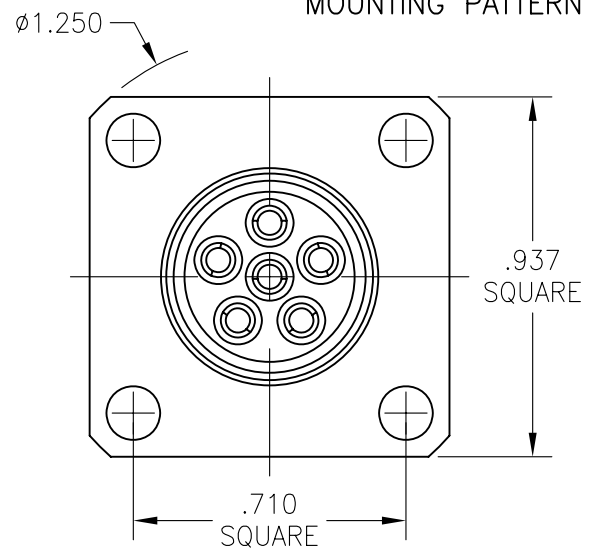


REVISIONS			
REV.	DESCRIPTION	DATE	APPROVED
A	RELEASED FOR PRODUCTION	11-08-06	CBV



$\phi.830$  O.D. X  $\phi.670$  I.D. X  
.050 DEEP O-RING GROOVE



QTY REQD	FSCM NO.	PART OR IDENTIFYING NO.	NOMENCLATURE OR DESCRIPTION	MATERIAL SPECIFICATION	ITEM
PARTS LIST					
UNLESS OTHERWISE SPECIFIED DIMENSIONS ARE IN INCHES TOLERANCES ARE: FRACTIONS DECIMALS ANGLES $\pm 1/64$ .XX ± .01 $\pm 1/2^\circ$ .XXX ± .003		CONTRACT NO.  APPROVALS DRAWN C. Velasco CHECKED A. Huezo ISSUED		DATE 11/08/06 11/09/06	
THE INFORMATION DISCLOSED IN THIS DOCUMENT IS CONFIDENTIAL AND PROPRIETARY TO MIL-CON INC. AND MAY NOT BE USED FOR MANUFACTURE OR ANY OTHER PURPOSE WITHOUT THE WRITTEN CONSENT OF MIL-CON INC.		<b>MIL-CON</b> <sup>TM</sup> AN AFFILIATE OF THE PHOENIX COMPANY OF CHICAGO		CONNECTOR; AUDIO, 6-POS, RCPT, SQ FLNG REAR MT, SPRING LOADED CONTACTS, SC TERMINALS	
NEXT ASSEMBLY  USED ON		SCALE NONE		DWG. NO. SD: MC783 REV. A	
APPLICATIONS		DO NOT SCALE DRAWING		SHEET 1 OF 2	

F/N: MC783.dwg

SPECIFICATIONS:

1) MATERIALS:

SHELL: STAINLESS STEEL (CLASS 303).  
 CONTACTS: COPPER ALLOY.  
 INSULATOR: DIALLYL PHTHALATE PER MIL-M-14,  
 TYPE MDG.

2) FINISHES/COLOR:

SHELL: PASSIVATED, SAND BLASTED.  
 TIP CONTACTS: .000030 GOLD PER MIL-G-45204,  
 TYPE II, CLASS 0, OVER .000100  
 NICKEL PER QQ-N-290.  
 INSULATOR: BLUE.

3) ELECTRICAL PROPERTIES

OPERATING VOLTAGE: 60 VOLTS MAX. POTENTIAL.  
 CURRENT RATING: 0.5 AMPS MAX.  
 DIELECTRIC BREAKDOWN: 500 VOLTS RMS.  
 INSULATION RESISTANCE: 1000 MEGOHMS MIN.  
 CONTACT RESISTANCE (MATED): .04 OHMS MAX.

4) MECHANICAL PROPERITES:

AIR PRESSURE: 2.5 P.S.I.  
 WATER IMMERSION: 48 HOURS AT 6 FEET.  
 DURABILITY: 3000 CYCLES, MATE AND UNMATE.  
 OPERATING TEMPERATURE: -55°C TO +85°C.

5) MC783 FLANGE MOUNT RECEPTACLE MATES WITH:

MC617 - ALL VERSIONS.  
 MC329 - ALL VERSIONS.  
 MC-ON241774 - ALL VERSIONS.

6) UNLESS OTHERWISE SPECIFIED, DIMENSIONS  
 SHOWN ARE FOR REFERENCE ONLY.

**MIL-CON™**

FILE NAME: MC783.dwg

DRAWN C. Velasco

SIZE  
**A**

FSCM NO.

**63525**

DWG. NO.

SD: MC783

REV.

**A**

ISSUED

SCALE NONE

SHEET 2 OF 2