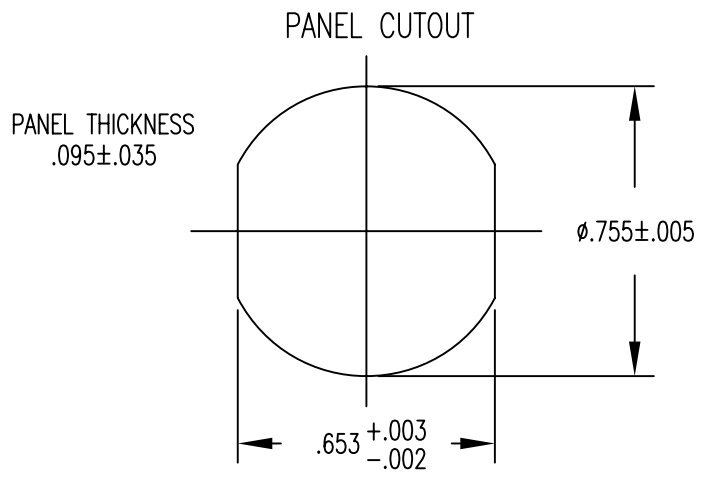
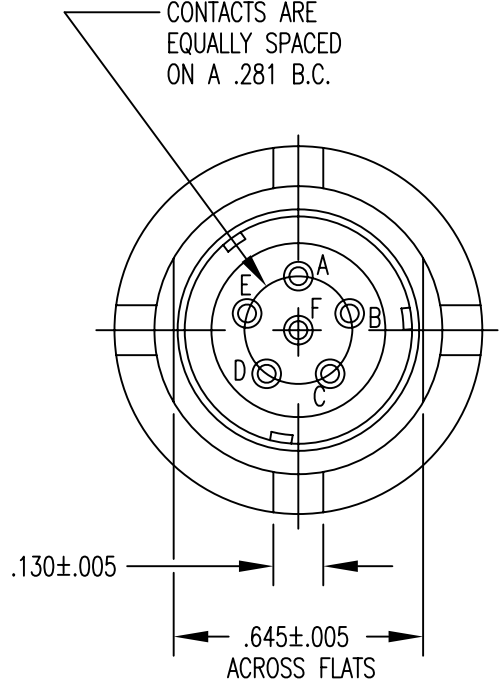
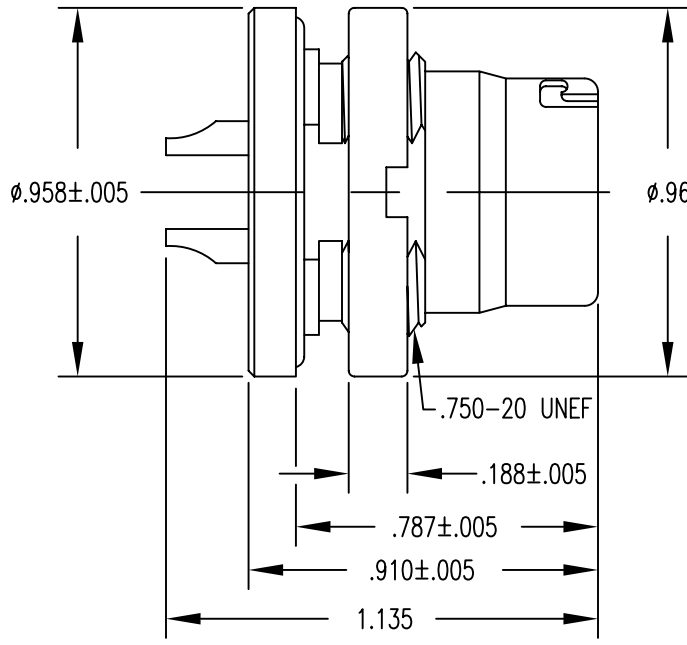


APPLICATIONS		REVISIONS			
NEXT ASSEMBLY	USED ON	REV.	DESCRIPTION	DATE	APPROVED

		R	RELEASED TO SALES	2-1-99	AH
		S	DELETED NOTE 7; ECO-05633	11-10-06	CBV
		T	REVISED BOM TO CALL-OUT 'ON' INSERT, ECO-05905	06-19-07	AH



FILE NAME: MC775-2.dwg

UNLESS OTHERWISE SPECIFIED DIMENSIONS ARE IN INCHES TOLERANCES ARE: FRACTIONS DECIMALS ANGLES $\pm 1/64$ .XX $\pm 0.01$ $\pm 1/2^\circ$ .XXX $\pm 0.003$	CONTRACT NO.		<b>MIL-CON™</b> AN AFFILIATE OF THE PHOENIX COMPANY OF CHICAGO				
	APPROVALS					DATE	MC775-2 AUDIO CONNECTOR
THE INFORMATION DISCLOSED IN THIS DOCUMENT IS CONFIDENTIAL AND PROPRIETARY TO MIL-CON, INC. AND MAY NOT BE USED FOR MANUFACTURE OR ANY OTHER PURPOSE WITHOUT THE WRITTEN CONSENT OF MIL-CON, INC.	DRAWN	A. Huevo	02/01/99	SIZE	FSCM NO.	DWG. NO.	REV.
	CHECKED	A. Huevo	06/19/07	A	63525	SD: MC775-2	T
	ISSUED			SCALE	NONE	SHEET 1	OF 2

SPECIFICATIONS:

1) MATERIALS:

SHELL AND PANEL NUT: STAINLESS STEEL (CLASS 304)  
CONTACTS (REAR): COPPER ALLOY  
CONTACTS (FRONT): BERYLLIUM COPPER  
INSULATOR: DIALLYL PHTHALATE PER MIL-M-14. TYPE MDG

2) FINISHES/COLOR:

SHELL: OLIVE DRAB OVER CADMIUM  
PANEL NUT: PASSIVATED, SAND BLASTED  
CONTACTS (REAR): 0.000030 GOLD PER MIL-G-45204, TYPE II, CLASS 0;  
OVER 0.000100 NICKEL PER QQ-N-290  
CONTACTS (FRONT): 0.000100 GOLD PER MIL-G-45204, TYPE II, CLASS 2;  
OVER 0.000100 NICKEL PER QQ-N-290  
INSULATOR: BLUE

3) ELECTRICAL PROPERTIES:

OPERATING VOLTAGE: 60 VOLTS MAXIMUM POTENTIAL  
CURRENT RATING: 0.5 AMPS MAXIMUM  
DIELECTRIC BREAKDOWN: 500 VOLTS RMS  
INSULATION RESISTANCE: 1000 MEGOHMS MINIMUM  
CONTACT RESISTANCE: 0.040 OHMS MAXIMUM FROM 1 TO 1500 MATINGS  
0.100 OHMS MAXIMUM FROM 1500 TO 3000 MATINGS  
1.000 OHMS MAXIMUM AFTER 3001 MATINGS

4) MECHANICAL PROPERTIES:

AIR PRESSURE: 3.0 P.S.I.  
DURABILITY: 3000 CYCLES, MATE AND UNMATE  
OPERATING TEMPERATURE: -52°C TO +95°C  
WATER IMMERSION: 48 HOURS AT 6 FEET

5) MC775-2 RECEPTACLE MATES WITH:

ON190305 - ALL VERSIONS  
ON241774 - ALL VERSIONS

6) DIMENSIONS ARE FOR REFERENCE ONLY, UNLESS OTHERWISE SPECIFIED

<b>MIL-CON</b> <sup>TM</sup>	FILE NAME: MC775-2.dwg			
	SIZE <b>A</b>	FSCM NO. <b>63525</b>	DWG. NO. SD: MC775-2	REV. T
	DRAWN A. Huevo	SCALE NONE	SHEET 2 OF 2	
ISSUED				