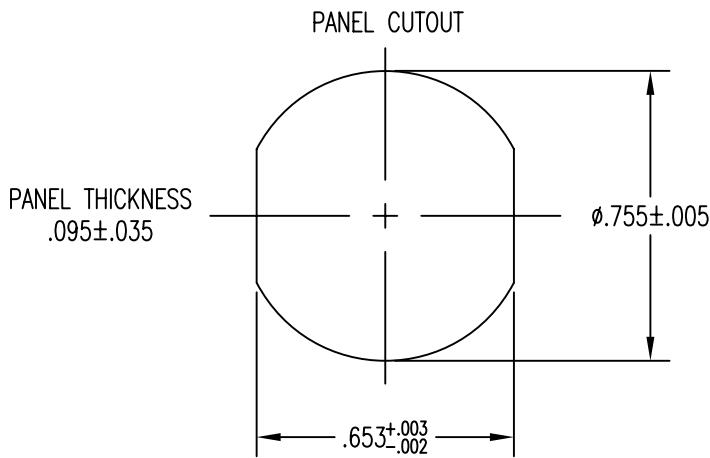
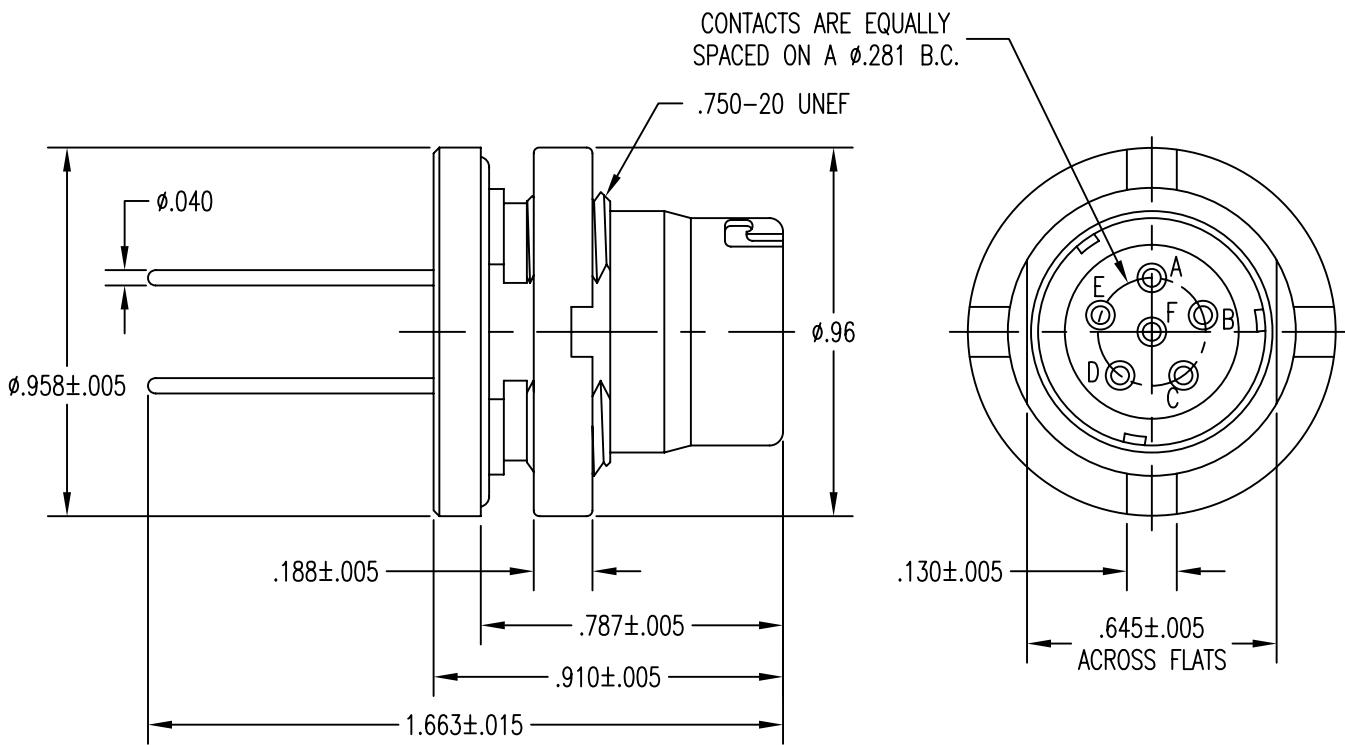


| APPLICATIONS | | REVISIONS | | | |
|---------------|---------|-----------|---------------------------|----------|----------|
| NEXT ASSEMBLY | USED ON | REV. | DESCRIPTION | DATE | APPROVED |
| | | A | RELEASED TO PRODUCTION | 5-9-01 | CBV |
| | | B | DELETED NOTE 7; ECO-05633 | 11-10-06 | CBV |



FILE NAME: MC775-16.dwg

UNLESS OTHERWISE SPECIFIED
DIMENSIONS ARE IN INCHES
TOLERANCES ARE:

| FRACTIONS | DECIMALS | ANGLES |
|------------|-----------------|-----------------|
| $\pm 1/64$ | $.XX \pm .01$ | $\pm 1/2^\circ$ |
| | $.XXX \pm .003$ | |

| | |
|--------------|------|
| CONTRACT NO. | |
| APPROVALS | DATE |

MIL-CONTM
AN AFFILIATE OF THE PHOENIX COMPANY OF CHICAGO

MC775-16 AUDIO CONNECTOR

THE INFORMATION DISCLOSED IN
THIS DOCUMENT IS CONFIDENTIAL
AND PROPRIETARY TO MIL-CON,
INC. AND MAY NOT BE USED FOR
MANUFACTURE OR ANY OTHER
PURPOSE WITHOUT THE WRITTEN
CONSENT OF MIL-CON, INC.

| | | |
|---------|------------|----------|
| DRAWN | C. Velasco | 05/09/01 |
| CHECKED | A. Huevo | 11/13/06 |
| ISSUED | | |

| | | | |
|------|----------|--------------|------|
| SIZE | FSCM NO. | DWG. NO. | REV. |
| A | 63525 | SD: MC775-16 | B |

DO NOT SCALE DRAWING

SCALE NONE SHEET 1 OF 2

SPECIFICATIONS:

- 1) MATERIALS:
 SHELL AND PANEL NUT: STAINLESS STEEL (CLASS 304)
 CONTACTS (REAR): COPPER ALLOY
 CONTACTS (FRONT): BERYLLIUM COPPER
 INSULATOR: DIALLYL PHTHALATE PER MIL-M-14. TYPE MDG

- 2) FINISH/COLOR:
 SHELL AND PANEL NUT: PASSIVATED, SAND BLASTED
 CONTACTS (REAR): 0.000030 GOLD PER MIL-G-45204, TYPE II, CLASS 0;
 OVER 0.000100 NICKEL PER QQ-N-290
 CONTACTS (FRONT): 0.000100 GOLD PER MIL-G-45204, TYPE II, CLASS 1;
 OVER 0.000100 NICKEL PER QQ-N-290
 INSULATOR: BLUE

- 3) ELECTRICAL PROPERTIES:
 OPERATING VOLTAGE: 60 VOLTS MAXIMUM POTENTIAL
 CURRENT RATING: 0.5 AMPS MAXIMUM
 DIELECTRIC BREAKDOWN: 500 VOLTS RMS
 INSULATION RESISTANCE: 1000 MEGOHMS MINIMUM
 CONTACT RESISTANCE: 0.040 OHMS MAXIMUM FROM 1 TO 1500 MATINGS
 0.100 OHMS MAXIMUM FROM 1500 TO 3000 MATINGS
 1.000 OHMS MAXIMUM AFTER 3001 MATINGS

- 4) MECHANICAL PROPERTIES:
 AIR PRESSURE: 3.0 P.S.I.
 DURABILITY: 3000 CYCLES, MATE AND UNMATE
 OPERATING TEMPERATURE: -52°C TO +95°C
 WATER IMMERSION: 48 HOURS AT 6 FEET

- 5) MC775-16 RECEPTACLE MATES WITH:
 ON190305 - ALL VERSIONS
 ON241774 - ALL VERSIONS

- 6) DIMENSIONS ARE FOR REFERENCE ONLY, UNLESS OTHERWISE SPECIFIED

| | | | | |
|------------------------------|-------------------------|--------------------------|--------------------------|------------------|
| MIL-CON TM | FILE NAME: MC775-16.dwg | | | |
| | SIZE A | FSCM NO. 63525 | DWG. NO. SD: MC775-16 | REV. B |
| | DRAWN C. Velasco | SCALE NONE | SHEET 2 | OF 2 |
| ISSUED | | | | |