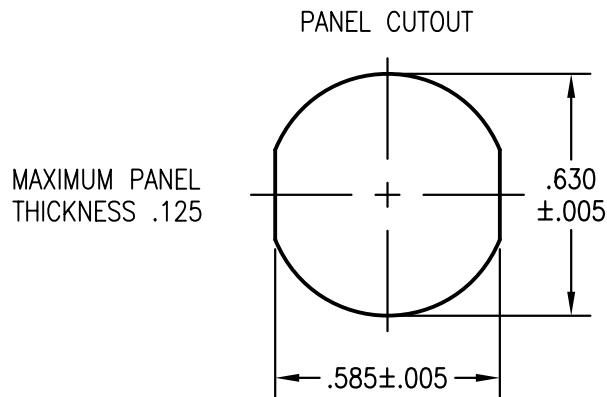
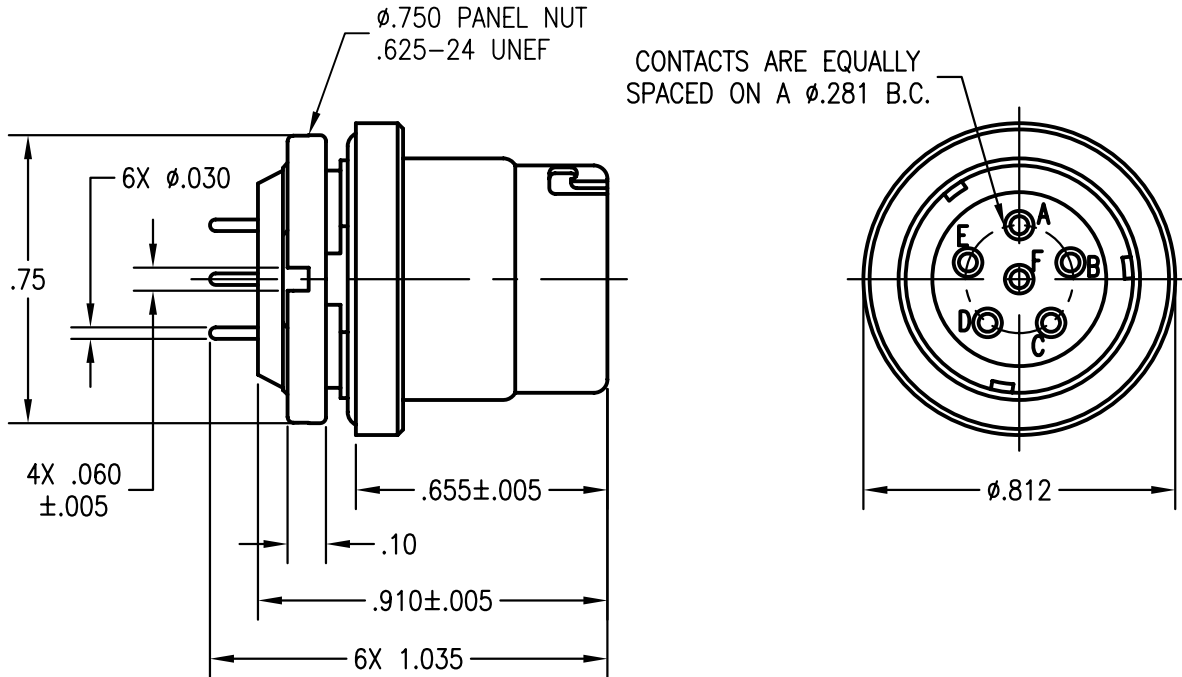


APPLICATIONS		REVISIONS			
NEXT ASSEMBLY	USED ON	REV.	DESCRIPTION	DATE	APPROVED
		0	RELEASED TO SALES	10-30-08	CBV
		A	RELEASED TO PRODUCTION	01-15-09	CBV



THESE ITEM(S)/TECHNICAL DATA ARE CONTROLLED BY THE DEPARTMENT OF STATE, INTERNATIONAL TRAFFIC IN ARMS REGULATION(S) (ITAR) 22 CFR PARTS 120-130 AND CAN NOT BE EXPORTED FROM THE UNITED STATES OR SHARED WITH A FOREIGN NATIONAL WITHOUT PRIOR APPROVAL FROM THE UNITED STATES GOVERNMENT.

FILE NAME: MC683SH-24CN4.dwg

UNLESS OTHERWISE SPECIFIED DIMENSIONS ARE IN INCHES TOLERANCES ARE: FRACTIONS DECIMALS ANGLES $\pm 1/64$.XX $\pm .01$ $\pm 1/2^\circ$.XXX $\pm .003$	CONTRACT NO.		MIL-CON™ AN AFFILIATE OF THE PHOENIX COMPANY OF CHICAGO		
	APPROVALS		DATE	MC683SH-24CN4 AUDIO CONNECTOR	
THE INFORMATION DISCLOSED IN THIS DOCUMENT IS CONFIDENTIAL AND PROPRIETARY TO MIL-CON, INC. AND MAY NOT BE USED FOR MANUFACTURE OR ANY OTHER PURPOSE WITHOUT THE WRITTEN CONSENT OF MIL-CON, INC.	DRAWN C. Velasco		10/30/08		
	CHECKED A. Huevo		01/15/09		
	ISSUED				
DO NOT SCALE DRAWING	SIZE A	FSCM NO. 63525	DWG. NO. SD: MC683SH-24CN4	REV. A	
	SCALE NONE		SHEET 1	OF 2	

SPECIFICATIONS:

1) MATERIALS:

SHELL AND PANEL NUT: STAINLESS STEEL.
CONTACTS: COPPER ALLOY.
INSULATOR: DIALLYL PHTHALATE PER MIL-M-14, TYPE MDG.

2) FINISHES AND COLOR:

SHELL AND PANEL NUT: PASSIVATED, SAND BLASTED.
CONTACTS: .000030 GOLD PER MIL-G-45204, TYPE II, CLASS 0;
OVER .000100 NICKEL PER QQ-N-290.
INSULATOR: BLUE.

3) ELECTRICAL PROPERTIES:

OPERATING VOLTAGE: 60 VOLTS MAXIMUM POTENTIAL.
CURRENT RATING: .5 AMPS MAXIMUM.
DIELECTRIC BREAKDOWN: 500 VOLTS RMS.
INSULATION RESISTANCE: 1000 MEGOHMS MINIMUM.
CONTACT RESISTANCE: .04 OHMS MAXIMUM WHEN MATED.

4) MECHANICAL PROPERTIES:

AIR PRESSURE: 2.5 P.S.I.
WATER IMMERSION: 48 HOURS @ 6 FEET.
DURABILITY: 3000 CYCLES, MATE AND UNMATE.

5) MC683SH-24CN4 CONNECTOR MATES WITH:

MC617 - ALL VERSIONS.
MC329 - ALL VERSIONS.

6) UNLESS OTHERWISE SPECIFIED, DIMENSIONS SHOWN ARE FOR REFERENCE ONLY.

7) ALL MATERIALS AND FINISHES ARE ROHS-COMPLIANT.

MIL-CON TM	FILE NAME: MC683SH-24CN4.dwg					
	SIZE	FSCM NO.	DWG. NO.	REV.		
	A	63525	SD: MC683SH-24CN4	A		
DRAWN C. Velasco	SCALE	NONE	SHEET	2	OF	2
ISSUED						