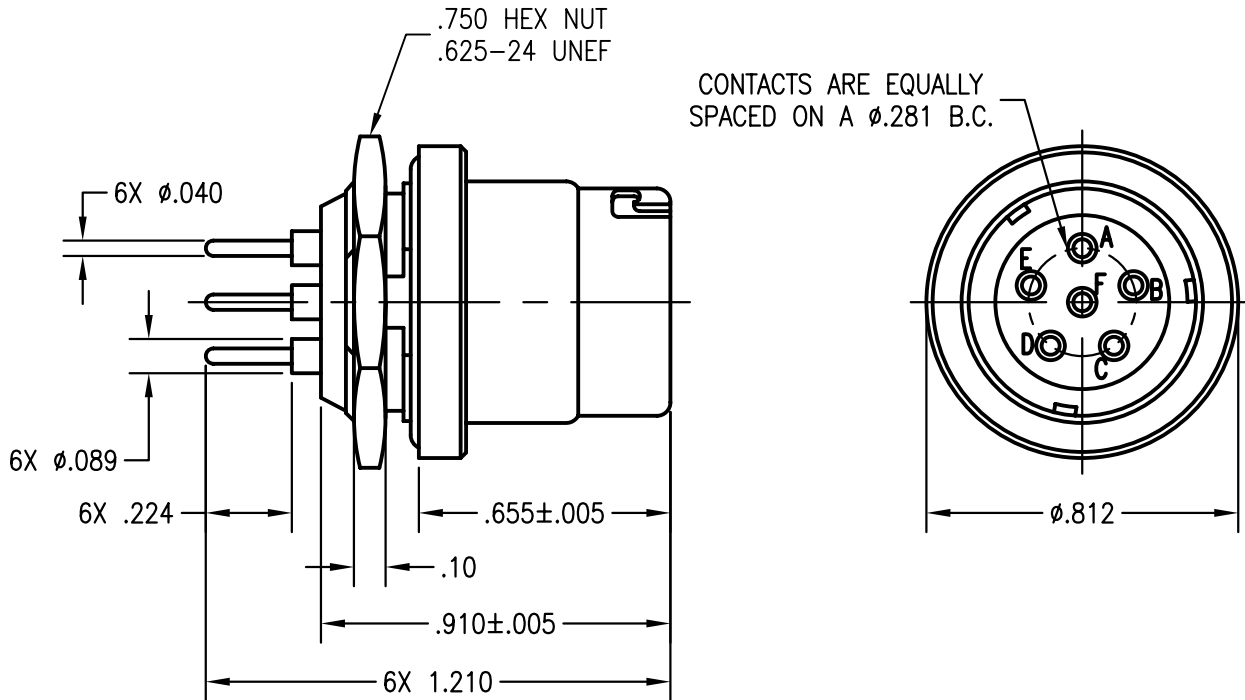
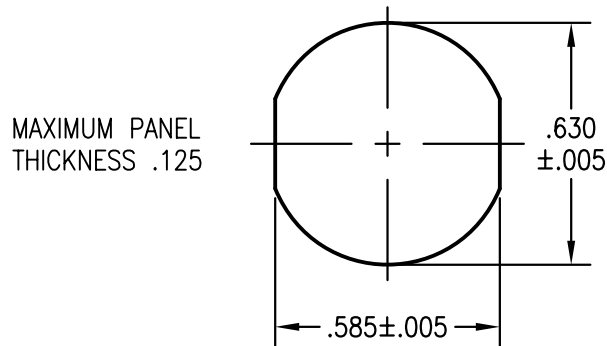


APPLICATIONS		REVISIONS			
NEXT ASSEMBLY	USED ON	REV.	DESCRIPTION	DATE	APPROVED
		0	RELEASED TO SALES	03-18-03	CBV
		1	DESIGN CHANGE, ADDED PCB TO TERMINAL END	06-27-03	CBV
		A	REVERTED TO REV. 0 DESIGN, RELEASED FOR PRODUCTION	08-11-03	CBV
		B	DELETED NOTE 7; ECO-05633	11-10-06	CBV



PANEL CUTOUT



FILE NAME: MC683S-23.dwg

UNLESS OTHERWISE SPECIFIED DIMENSIONS ARE IN INCHES TOLERANCES ARE: FRACTIONS DECIMALS ANGLES $\pm 1/64$.XX \pm .01 $\pm 1/2^\circ$.XXX \pm .003	CONTRACT NO.		MIL-CON™ AN AFFILIATE OF THE PHOENIX COMPANY OF CHICAGO				
	APPROVALS	DATE				MC683S-23 AUDIO CONNECTOR	
THE INFORMATION DISCLOSED IN THIS DOCUMENT IS CONFIDENTIAL AND PROPRIETARY TO MIL-CON, INC. AND MAY NOT BE USED FOR MANUFACTURE OR ANY OTHER PURPOSE WITHOUT THE WRITTEN CONSENT OF MIL-CON, INC.	DRAWN	C. Velasco	03/18/03	SIZE	FSCM NO.	DWG. NO.	REV.
	CHECKED	A. Huevo	11/13/06	A	63525	SD: MC683S-23	B
	ISSUED			SCALE	NONE	SHEET 1	OF 2

SPECIFICATIONS:

1) MATERIALS:

SHELL AND PANEL NUT: STAINLESS STEEL.

CONTACTS: COPPER ALLOY.

INSULATOR: DIALLYL PHTHALATE PER MIL-M-14, TYPE MDG.

2) FINISHES AND COLOR:

SHELL AND PANEL NUT: PASSIVATED, SAND BLASTED.

CONTACTS: .000030 GOLD PER MIL-G-45204, TYPE II, CLASS 0;
OVER .000100 NICKEL PER QQ-N-290.

INSULATOR: BLUE.

3) ELECTRICAL PROPERTIES:

OPERATING VOLTAGE: 60 VOLTS MAXIMUM POTENTIAL.

CURRENT RATING: .5 AMPS MAXIMUM.

DIELECTRIC BREAKDOWN: 500 VOLTS RMS.

INSULATION RESISTANCE: 1000 MEGOHMS MINIMUM.

CONTACT RESISTANCE: .04 OHMS MAXIMUM WHEN MATED.

4) MECHANICAL PROPERTIES:

AIR PRESSURE: 2.5 P.S.I.

WATER IMMERSION: 48 HOURS @ 6 FEET.

DURABILITY: 3000 CYCLES, MATE AND UNMATE.

5) THIS CONNECTOR MATES WITH:

MC617 - ALL VERSIONS.

MC329 - ALL VERSIONS.

6) UNLESS OTHERWISE SPECIFIED, DIMENSIONS SHOWN ARE FOR REFERENCE ONLY.

MIL-CON TM	FILE NAME: MC683S-23.dwg			
	SIZE	FSCM NO.	DWG. NO.	REV.
	A	63525	SD: MC683S-23	B
DRAWN C. Velasco	SCALE	NONE	SHEET 2	OF 2
ISSUED				