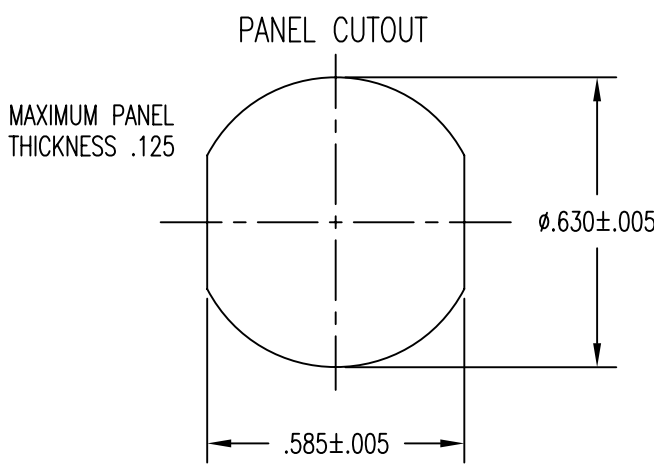
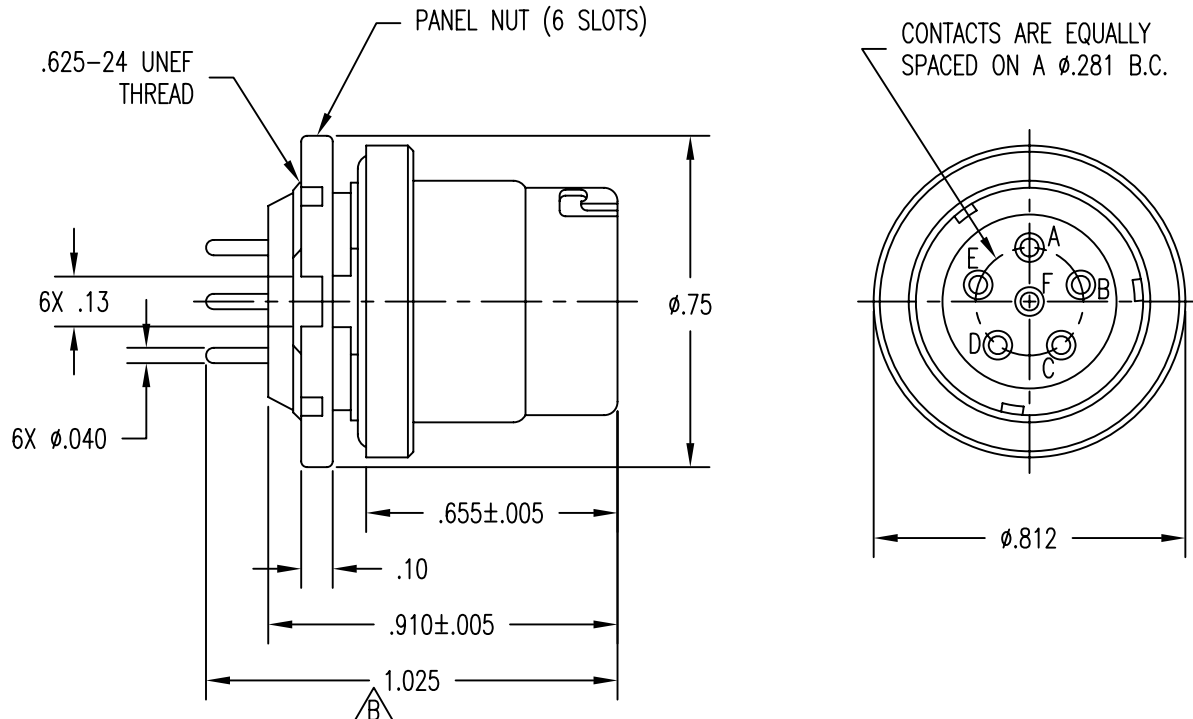


APPLICATIONS		REVISIONS			
NEXT ASSEMBLY	USED ON	REV.	DESCRIPTION	DATE	APPROVED
		A	RELEASED TO SALES	10-06-00	CBV
		B	DELETED NOTE 7; 1.025 WAS 1.020; ECO-05633	11-10-06	CBV



FILE NAME: MC683S-21CN6.dwg

UNLESS OTHERWISE SPECIFIED DIMENSIONS ARE IN INCHES TOLERANCES ARE: FRACTIONS DECIMALS ANGLES $\pm 1/64$.XX \pm .01 $\pm 1/2^\circ$.XXX \pm .003	CONTRACT NO.		MIL-CON™ AN AFFILIATE OF THE PHOENIX COMPANY OF CHICAGO MC683S-21CN6 AUDIO CONNECTOR			
	APPROVALS	DATE				
THE INFORMATION DISCLOSED IN THIS DOCUMENT IS CONFIDENTIAL AND PROPRIETARY TO MIL-CON, INC. AND MAY NOT BE USED FOR MANUFACTURE OR ANY OTHER PURPOSE WITHOUT THE WRITTEN CONSENT OF MIL-CON, INC.	DRAWN C. Velasco	10/06/00	SIZE A	FSCM NO. 63525	DWG. NO. SD: MC683S-21CN6	REV. B
	CHECKED A. Huezo	11/13/06	SCALE NONE		SHEET 1 OF 2	
	DO NOT SCALE DRAWING					

SPECIFICATIONS:

- 1) MATERIALS:
SHELL AND PANEL NUT: STAINLESS STEEL
CONTACTS: COPPER ALLOY
INSULATOR: DIALLYL PHTHALATE PER MIL-M-14, TYPE MDG
- 2) FINISHES/COLOR:
SHELL AND PANEL NUT: PASSIVATED, SAND BLASTED
CONTACTS: .000030 GOLD PER MIL-G-45204, TYPE II,
CLASS 0; OVER .000100 NICKEL PER QQ-N-290
INSULATOR: BLUE
- 3) ELECTRICAL PROPERTIES:
OPERATING VOLTAGE: 60 VOLTS MAXIMUM POTENTIAL
CURRENT RATING: 0.5 AMPS MAXIMUM
DIELECTRIC BREAKDOWN: 500 VOLTS RMS
INSULATION RESISTANCE: 1000 MEGOHMS MINIMUM
CONTACT RESISTANCE (MATED): 0.04 OHMS MAXIMUM
- 4) MECHANICAL PROPERTIES:
AIR PRESSURE: 2.5 P.S.I.
WATER IMMERSION: 48 HOURS AT 6 FEET
DURABILITY: 3000 CYCLES, MATE AND UNMATE
- 5) MC683S-21CN6 RECEPTACLE MATES WITH:
MC617 - ALL VERSIONS
MC329 - ALL VERSIONS
- 6) DIMENSIONS ARE FOR REFERENCE ONLY, UNLESS OTHERWISE SPECIFIED

MIL-CON TM	FILE NAME: MC683S-21CN6.dwg			
	SIZE	FSCM NO.	DWG. NO.	REV.
	A	63525	SD: MC683S-21CN6	B
DRAWN C. Velasco	SCALE	NONE	SHEET 2	OF 2
ISSUED				