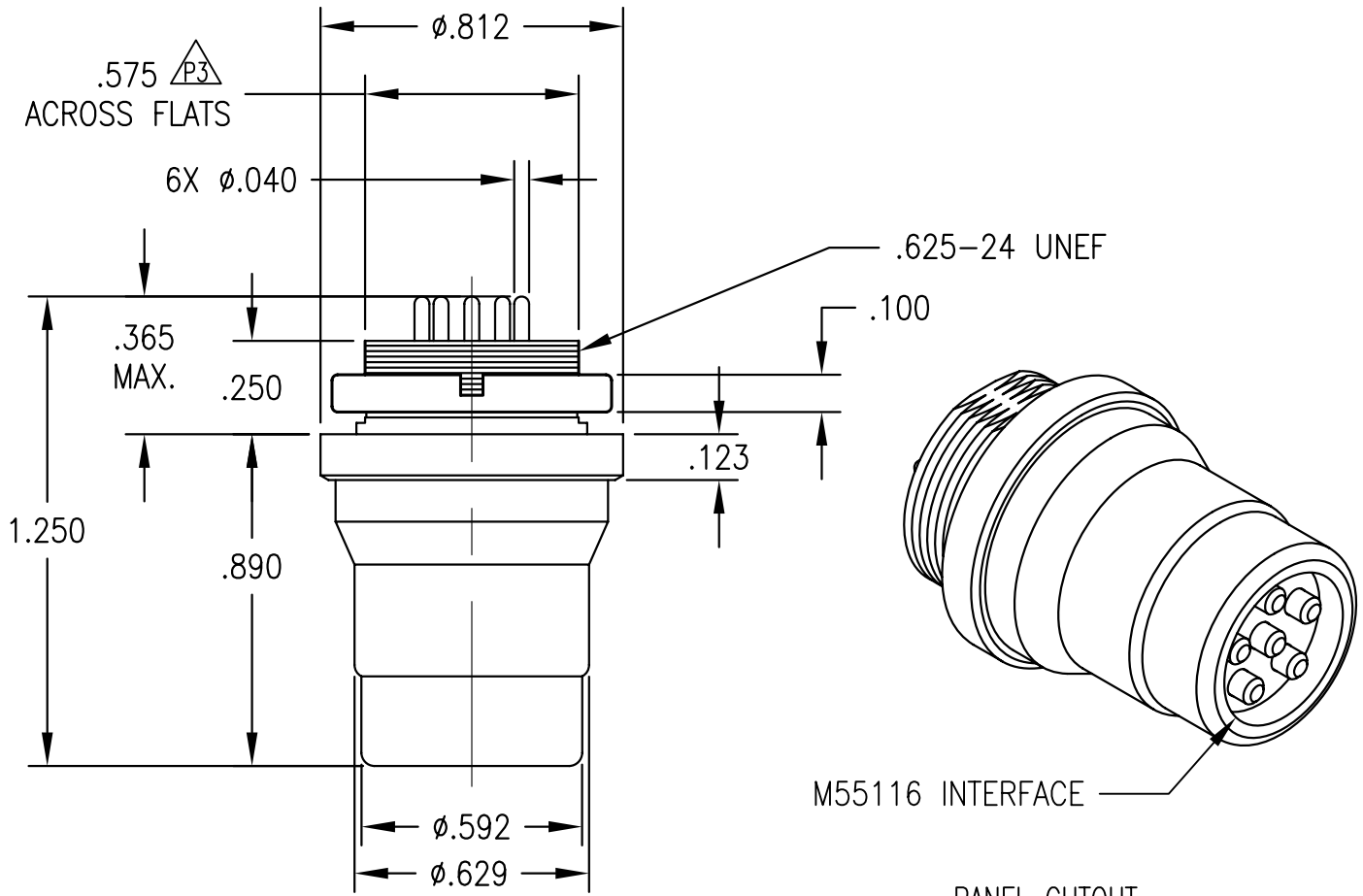


| APPLICATIONS | | REVISIONS | | | |
|---------------|---------|-----------|-------------|------|----------|
| NEXT ASSEMBLY | USED ON | REV. | DESCRIPTION | DATE | APPROVED |

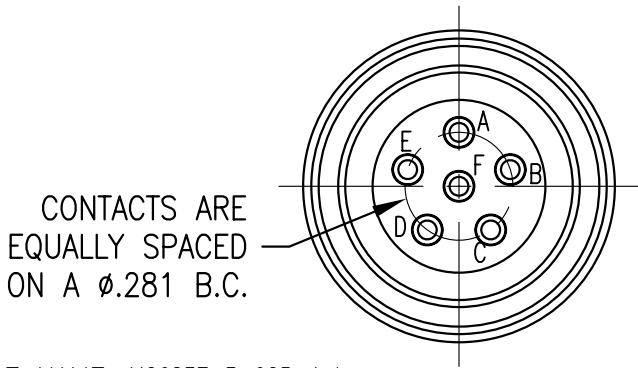
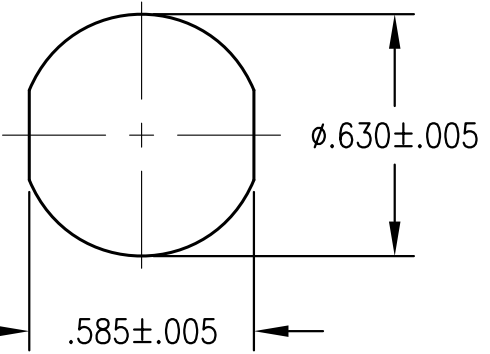
| | | | | | |
|--|--|----|--|----------|-----|
| | | 4 | PRELIMINARY RELEASE; UPDATED | 01-27-03 | AH |
| | | P1 | RELEASED FOR PROTOTYPE | 02-11-03 | AH |
| | | P2 | UPDATED BOM, DWG UNCHANGED | 05-30-03 | AH |
| | | P3 | DELETED NOTE 7; RENUMBERED NOTES; DELETED CONT TINNING; .575 WAS .573; ECO-05633 | 11-10-06 | CBV |



M55116 INTERFACE

PANEL CUTOUT

MAXIMUM PANEL THICKNESS .125



FILE NAME: MC683F-3-025-1.dwg

UNLESS OTHERWISE SPECIFIED DIMENSIONS ARE IN INCHES TOLERANCES ARE:
FRACTIONS DECIMALS ANGLES
±1/64 .XX ±.01 ±1/2°
.XXX ±.003

THE INFORMATION DISCLOSED IN THIS DOCUMENT IS CONFIDENTIAL AND PROPRIETARY TO MIL-CON, INC. AND MAY NOT BE USED FOR MANUFACTURE OR ANY OTHER PURPOSE WITHOUT THE WRITTEN CONSENT OF MIL-CON, INC.

| | |
|---------------------|----------|
| CONTRACT NO. | |
| APPROVALS | DATE |
| DRAWN A. Huezo | 10/10/02 |
| CHECKED A. Huezo | 11/13/06 |
| ISSUED | |

| | | | |
|--|-------------------|----------------------------|------------|
| MIL-CON™ AN AFFILIATE OF THE PHOENIX COMPANY OF CHICAGO | | | |
| CONN; FILTERED, 6-POS, 683 STYLE, FRONT MNT PI-TYPE, 2400 PF, Ø.040 PC CONTACTS | | | |
| SIZE A | FSCM NO. 63525 | DWG. NO. MC683F-3-025-1 | REV. P3 |

DO NOT SCALE DRAWING

SCALE NONE SHEET 1 OF 2

