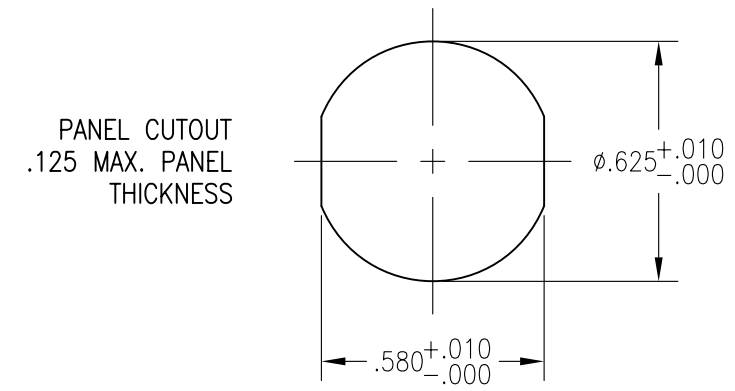
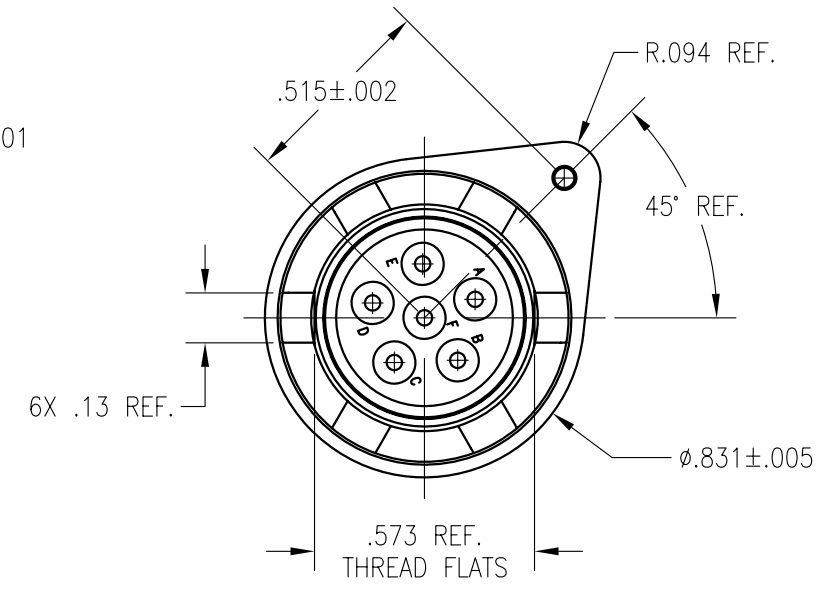
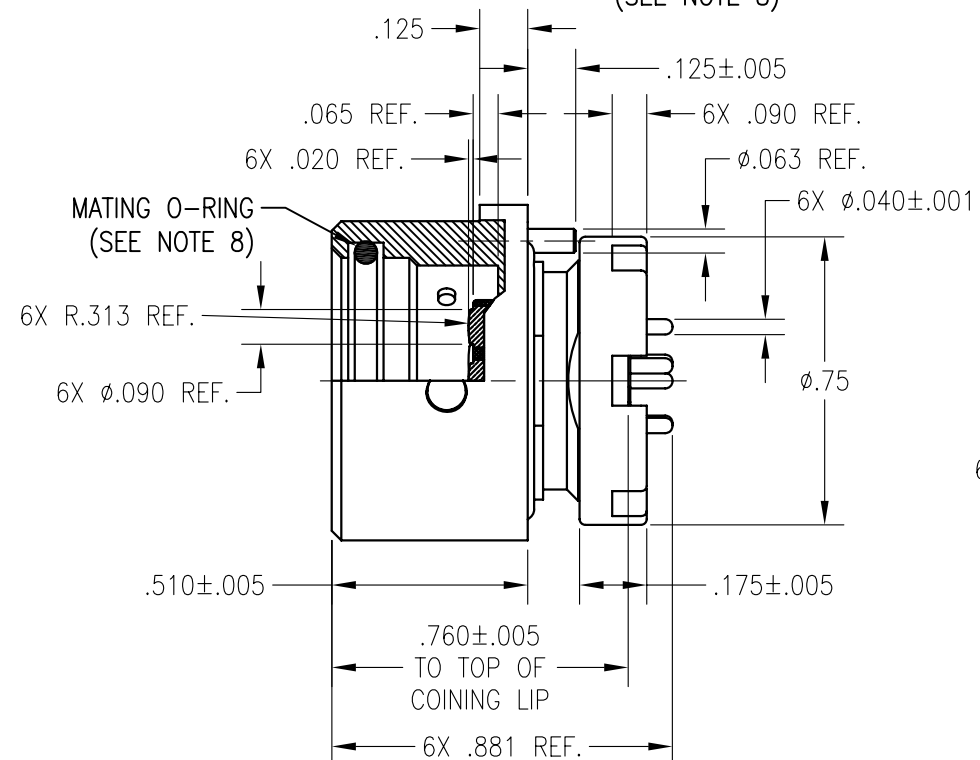
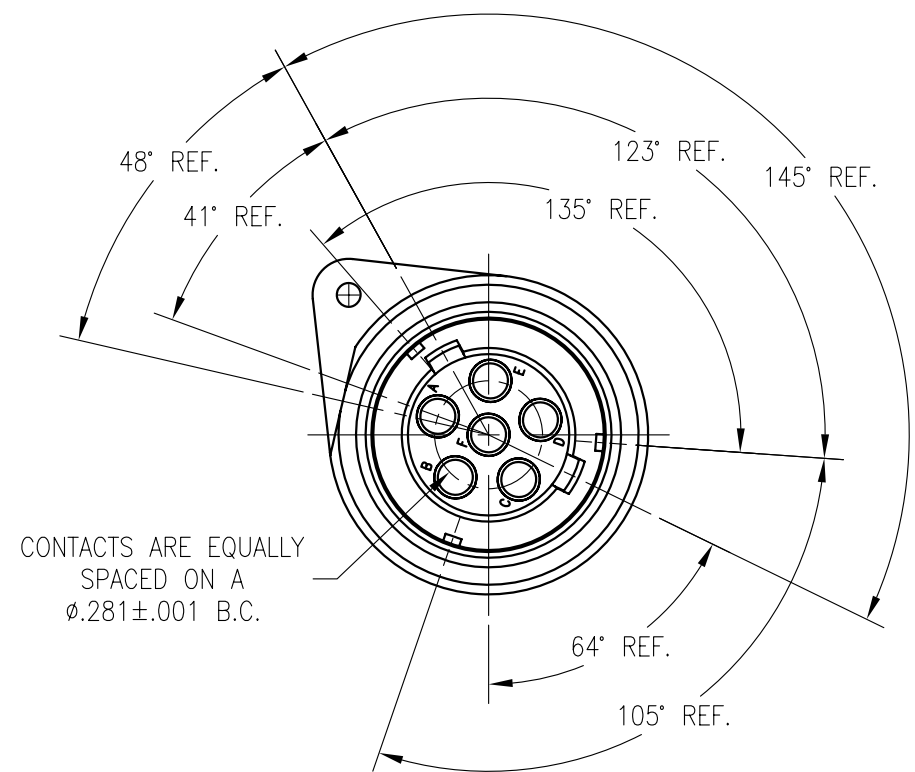
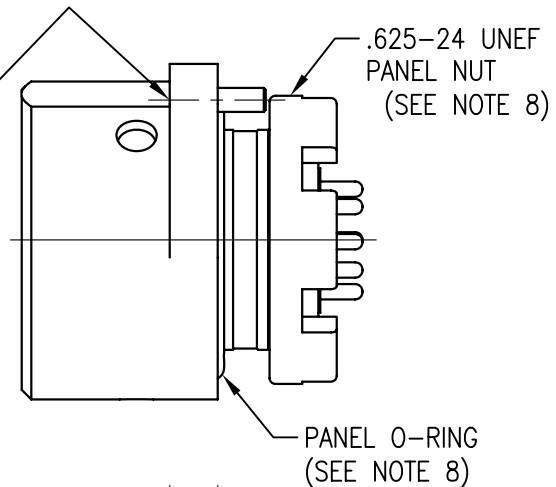


THESE ITEM(S)/TECHNICAL DATA ARE CONTROLLED BY THE DEPARTMENT OF STATE, INTERNATIONAL TRAFFIC IN ARMS REGULATION(S) (ITAR) 22 CFR PARTS 120-130 AND CAN NOT BE EXPORTED FROM THE UNITED STATES OR SHARED WITH A FOREIGN NATIONAL WITHOUT PRIOR APPROVAL FROM THE UNITED STATES GOVERNMENT.

DWG. NO. SH REV.

REVISIONS			
REV.	DESCRIPTION	DATE	APPROVED
P4	ADDED TOLERANCE TO DIMENSIONS; UPDATED DRAWING BORDER	06-15-10	CBV
P5	UPDATED PANEL CUTOUT DIMENSIONS	02-09-11	CBV
A	ADDED NOTE 8: ALL O-RINGS AND PANEL NUT TO BE SHIPPED INSTALLED ONTO CONN	05-16-12	AH

MCMaster-CARR PIN P/N: 90145A415
MAY PROTRUDE SLIGHTLY ABOVE
SHOULDER SURFACE



QTY REQD	FSCM NO.	PART OR IDENTIFYING NO.	NOMENCLATURE OR DESCRIPTION	MATERIAL SPECIFICATION	ITEM
PARTS LIST					
UNLESS OTHERWISE SPECIFIED DIMENSIONS ARE IN INCHES TOLERANCES ARE: FRACTIONS DECIMALS ANGLES $\pm 1/64$.XX ± .01 $\pm 1/2^\circ$.XXX ± .003		CONTRACT NO.		MIL-CON TM AN AFFILIATE OF THE PHOENIX COMPANY OF CHICAGO MC539T-21CN6T AUDIO CONNECTOR	
THE INFORMATION DISCLOSED IN THIS DOCUMENT IS CONFIDENTIAL AND PROPRIETARY TO MIL-CON INC. AND MAY NOT BE USED FOR MANUFACTURE OR ANY OTHER PURPOSE WITHOUT THE WRITTEN CONSENT OF MIL-CON INC.		APPROVALS	DATE		
NEXT ASSEMBLY		DRAWN C. Velasco		SIZE B	
USED ON		CHECKED A. Huevo		FSCM NO. 63525	
APPLICATIONS		ISSUED		DWG. NO. SD: MC539T-21CN6T	
DO NOT SCALE DRAWING				REV. A	
				SCALE NONE	
				SHEET 1 OF 2	

REVISIONS			
REV.	DESCRIPTION	DATE	APPROVED

SPECIFICATIONS:

- 1) MATERIALS:
 SHELL & PANEL NUT: STAINLESS STEEL
 CONTACTS: COPPER ALLOY
 INSULATOR: DIALLYL PHTHALATE PER MIL-M-14, TYPE MDG
- 2) FINISHES/COLOR:
 SHELL & PANEL NUT: PASSIVATED, SAND BLASTED
 CONTACTS: .000030 GOLD PER MIL-G-45204, TYPE II, OVER .000200 NICKEL PER QQ-N-290
 INSULATOR: BLUE
- 3) ELECTRICAL PROPERTIES
 OPERATING VOLTAGE: 60 VOLTS MAX. POTENTIAL
 CURRENT RATING: .5 AMPS MAX.
 DIELECTRIC BREAKDOWN: 500 VOLTS RMS
 INSULATION RESISTANCE: 1000 MEGOHMS MIN.
 CONTACT RESISTANCE (MATED): 0.04 OHMS MAX.
- 4) MECHANICAL PROPERTIES:
 AIR PRESSURE: 2.5 P.S.I.
 WATER IMMERSION: 48 HOURS AT 6 FEET
 DURABILITY: 3000 CYCLES, MATE AND UNMATE
 OPERATING TEMPERATURE: -55°C TO +85°C
- 5) MC539T-21CN6T MATES WITH:
 MC283 - ALL VERSIONS
 MC283F - ALL VERSIONS
 MC283R - ALL VERSIONS
 MC328 - ALL VERSIONS
 MC683S - ALL VERSIONS
- 6) UNLESS OTHERWISE SPECIFIED, DIMENSIONS SHOWN ARE FOR REFERENCE ONLY
- 7) THIS SPECIFICATION DESCRIBES THE REQUIREMENTS FOR THIS SIX CONTACT, BAYONET STYLE, TWIST LOCK AUDIO CONNECTOR FOR HIGH RELIABILITY UNDER SEVERE ENVIRONMENTAL CONDITIONS THAT MEET THE INTERFACE STANDARDS OF MIL-DTL-55116. ALL CONTACTS ARE ELECTRICALLY ISOLATED FROM THE CONNECTOR BODY.
- 8) O-RINGS (PANEL AND MATING) AND PANEL NUT ARE SHIPPED INSTALLED ONTO CONNECTOR

MIL-CON™		FILE NAME: MC539T-21CN6T.dwg			
DRAWN C. Velasco	SIZE B	FSCM NO. 63525	DWG. NO. SD: MC539T-21CN6T	REV. A	
ISSUED	SCALE NONE		SHEET 2	OF 2	