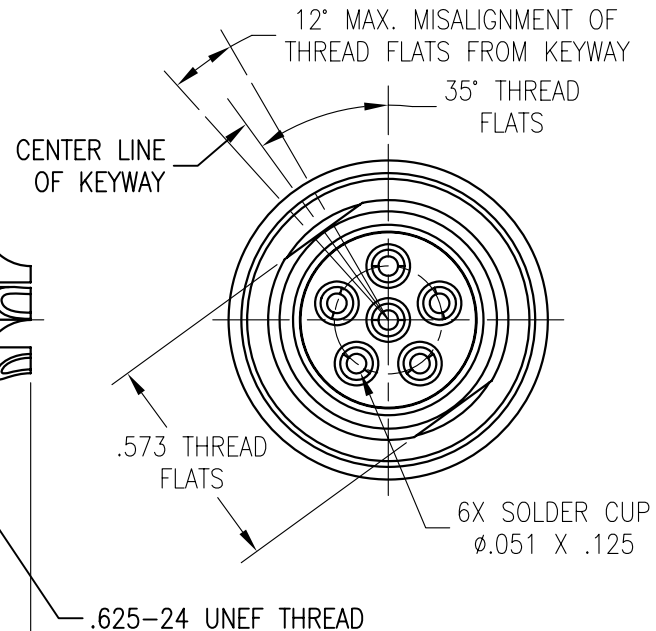
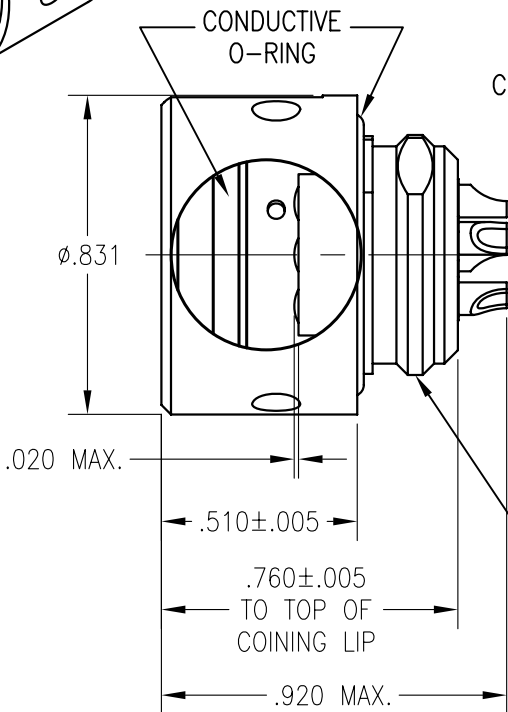
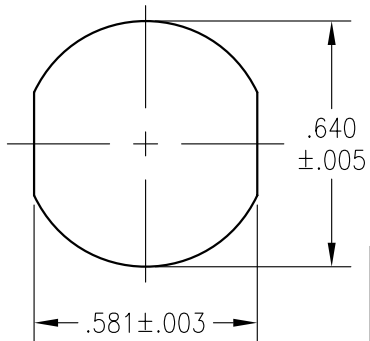
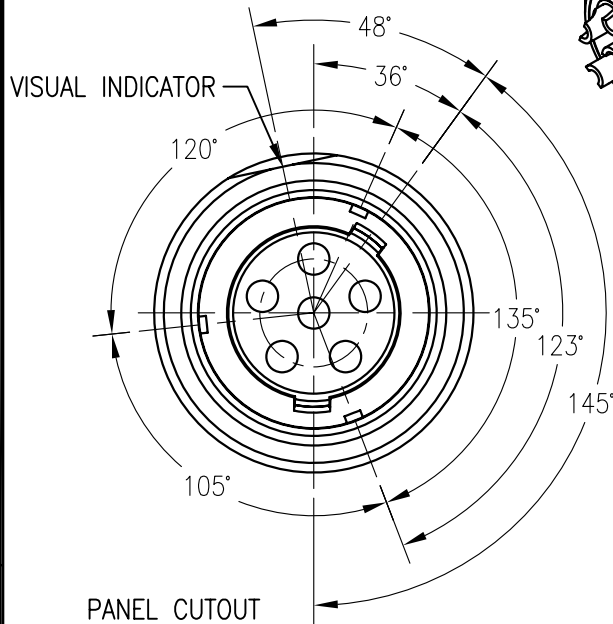
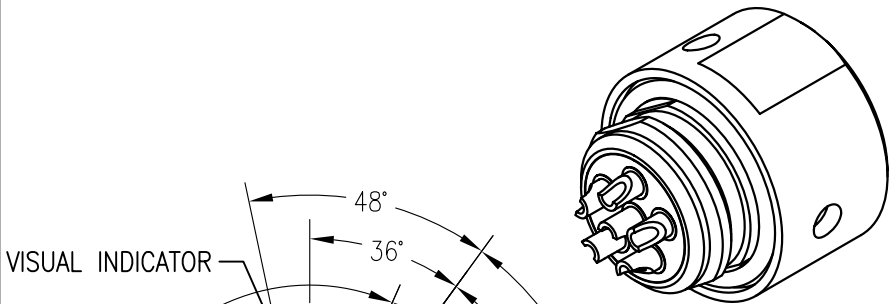


REVISIONS			
REV.	DESCRIPTION	DATE	APPROVED
A	RELEASED TO PRODUCTION	03-02-09	CBV



MAX. PANEL THICKNESS: .125

F/N: MC539NN.dwg

QTY REQD	FSCM NO.	PART OR IDENTIFYING NO.	NOMENCLATURE OR DESCRIPTION	MATERIAL SPECIFICATION	ITEM									
PARTS LIST														
<p>UNLESS OTHERWISE SPECIFIED DIMENSIONS ARE IN INCHES TOLERANCES ARE:</p> <table border="1"> <tr> <td>FRACTIONS</td> <td>DECIMALS</td> <td>ANGLES</td> </tr> <tr> <td>±1/64</td> <td>.XX ±.01</td> <td>±1/2°</td> </tr> <tr> <td></td> <td>.XXX ±.003</td> <td></td> </tr> </table>			FRACTIONS	DECIMALS	ANGLES	±1/64	.XX ±.01	±1/2°		.XXX ±.003		<p>CONTRACT NO.</p>		<p>MIL-CONTM AN AFFILIATE OF THE PHOENIX COMPANY OF CHICAGO</p> <p>MC539NN AUDIO CONNECTOR</p>
			FRACTIONS	DECIMALS	ANGLES									
±1/64	.XX ±.01	±1/2°												
	.XXX ±.003													
<p>APPROVALS</p> <p>DRAWN: C. Velasco</p> <p>CHECKED: A. Huezo</p> <p>ISSUED:</p>		<p>DATE</p> <p>03/02/09</p> <p>03/02/09</p>												
<p>THE INFORMATION DISCLOSED IN THIS DOCUMENT IS CONFIDENTIAL AND PROPRIETARY TO MIL-CON INC. AND MAY NOT BE USED FOR MANUFACTURE OR ANY OTHER PURPOSE WITHOUT THE WRITTEN CONSENT OF MIL-CON INC.</p>			<p>SIZE: A</p> <p>FSCM NO.: 63525</p> <p>DWG. NO.: SD: MC539NN</p>		<p>REV. A</p>									
<p>DO NOT SCALE DRAWING</p>			<p>SCALE: NONE</p>		<p>SHEET 1 OF 2</p>									

NEXT ASSEMBLY USED ON

APPLICATIONS

SPECIFICATIONS:

1) MATERIALS:

SHELL: STAINLESS STEEL (CLASS 303).
CONTACTS: BERYLLIUM COPPER.
INSULATOR: DIALLYL PHTHALATE PER MIL-M-14,
TYPE MDG.

2) FINISHES/COLOR:

SHELL: SAND BLASTED, PASSIVATED.
CONTACTS: .000100 GOLD PER MIL-G-45204,
TYPE II, CLASS 1, OVER .000100
NICKEL PER QQ-N-290.
INSULATOR: BLUE.

3) ELECTRICAL PROPERTIES

OPERATING VOLTAGE: 60 VOLTS MAX. POTENTIAL.
CURRENT RATING: .5 AMPS MAX.
DIELECTRIC BREAKDOWN: 500 VOLTS RMS.
INSULATION RESISTANCE: 1000 MEGOHMS MIN.
CONTACT RESISTANCE (MATED): .040 OHMS MAX.

4) MECHANICAL PROPERTIES:

AIR PRESSURE: 2.5 P.S.I.
WATER IMMERSION: 48 HOURS AT 6 FEET.
DURABILITY: 3000 CYCLES, MATE AND UNMATE.
OPERATING TEMPERATURE: -55°C TO +85°C.

5) MC539NN MATES WITH:

MC283 - ALL VERSIONS.
MC283F - ALL VERSIONS.
MC283R - ALL VERSIONS.
MC328 - ALL VERSIONS.
MC683S - ALL VERSIONS.

6) THIS ASSEMBLY IS SUPPLIED WITHOUT THE PANEL NUT
HARDWARE.

7) UNLESS OTHERWISE SPECIFIED, DIMENSIONS
SHOWN ARE FOR REFERENCE ONLY.

MIL-CON™

DRAWN C. Velasco

ISSUED

FILE NAME: MC539NN.dwg

SIZE

A

FSCM NO.

63525

DWG. NO.

SD: MC539NN

REV.

A

SCALE

NONE

SHEET 2

OF

2