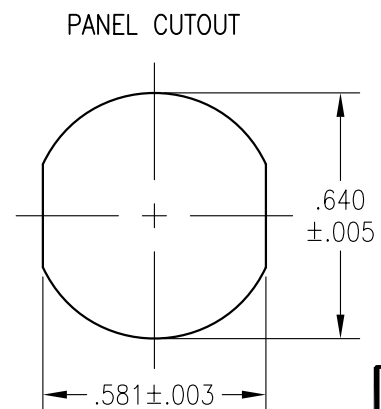
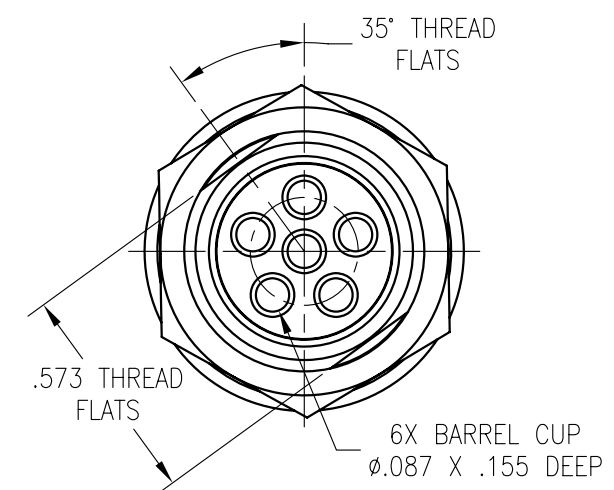
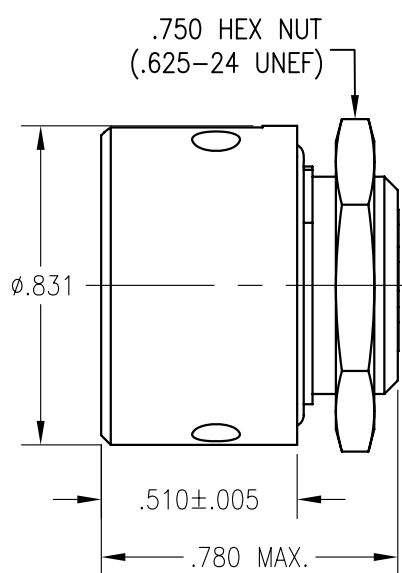
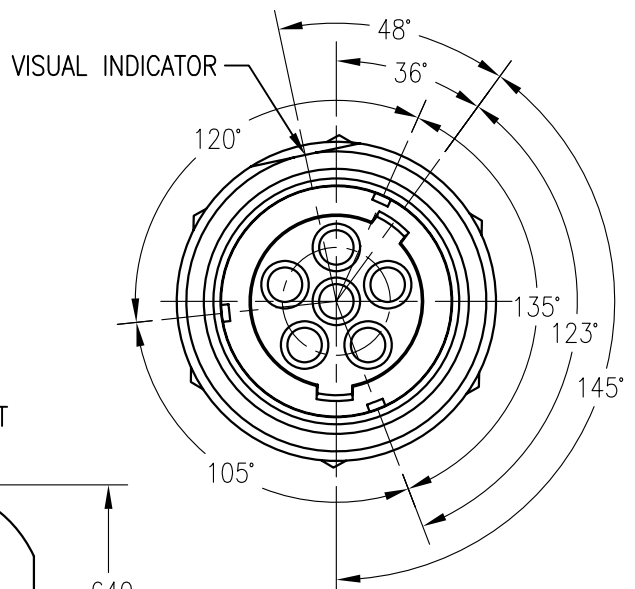


REVISIONS			
REV.	DESCRIPTION	DATE	APPROVED
C	123° WAS 117°, 48° WAS 54°, .581 WAS .681, ADDED REAR & ISO VIEWS, ECO-04210	06-09-03	CBV
D	DELETED NOTE 7; ECO-05633	11-10-06	CBV



MAXIMUM PANEL THICKNESS .125

F/N: MC529G2.dwg

QTY REQD	FSCM NO.	PART OR IDENTIFYING NO.	NOMENCLATURE OR DESCRIPTION	MATERIAL SPECIFICATION	ITEM
PARTS LIST					
UNLESS OTHERWISE SPECIFIED DIMENSIONS ARE IN INCHES TOLERANCES ARE: FRACTIONS ±1/64 DECIMALS .XX ±.01 ANGLES ±1/2° .XXX ±.008		CONTRACT NO.		MIL-CON TM AN AFFILIATE OF THE PHOENIX COMPANY OF CHICAGO MC529G2 AUDIO CONNECTOR	
		APPROVALS	DATE		
THE INFORMATION DISCLOSED IN THIS DOCUMENT IS CONFIDENTIAL AND PROPRIETARY TO MIL-CON INC. AND MAY NOT BE USED FOR MANUFACTURE OR ANY OTHER PURPOSE WITHOUT THE WRITTEN CONSENT OF MIL-CON INC.		DRAWN	A. Green	09/10/91	SIZE A FSCM NO. 63525 DWG. NO. SD: MC529G2 REV. D
		CHECKED	A. Huezo	11/13/06	
		ISSUED			
NEXT ASSEMBLY		USED ON		SCALE NONE SHEET 1 OF 2	
APPLICATIONS		DO NOT SCALE DRAWING			

SPECIFICATIONS:

1) MATERIALS:

SHELL & HEX NUT: STAINLESS STEEL.
CONTACTS: COPPER ALLOY.
INSULATOR: DIALLYL PHTHALATE PER
MIL-M-14, TYPE MDG.

2) FINISHES/COLOR:

SHELL & HEX NUT: PASSIVATED, SAND
BLASTED.
CONTACTS: .000030 GOLD PER
MIL-G-45204, TYPE I,
CLASS 0, OVER .000100
NICKEL PER QQ-N-290.
INSULATOR: BLUE.

3) ELECTRICAL PROPERTIES

OPERATING VOLTAGE: 60 VOLTS MAX. POTENTIAL.
CURRENT RATING: 0.5 AMPS MAX.
DIELECTRIC BREAKDOWN: 500 VOLTS RMS.
INSULATION RESISTANCE: 1000 MEGOHMS MIN.
CONTACT RESISTANCE (MATED): 0.04 OHMS MAX.

4) MECHANICAL PROPERTIES:

AIR PRESSURE: 2.5 P.S.I.
WATER IMMERSION: 48 HOURS AT 6 FEET.
DURABILITY: 3000 CYCLES, MATE AND UNMATE.
OPERATING TEMPERATURE: -55°C TO +85°C.

5) MC529G2 MATES WITH:

MC283 - ALL VERSIONS.
MC283F - ALL VERSIONS.
MC283R - ALL VERSIONS.
MC328 - ALL VERSIONS.
MC683S - ALL VERSIONS.

6) UNLESS OTHERWISE SPECIFIED, DIMENSIONS
SHOWN ARE FOR REFERENCE ONLY.

MIL-CON™

DRAWN A. Green

ISSUED

FILE NAME: MC529G2.dwg

SIZE

A

FSCM NO.

63525

DWG. NO.

SD: MC529G2

REV.

D

SCALE NONE

SHEET 2 OF 2