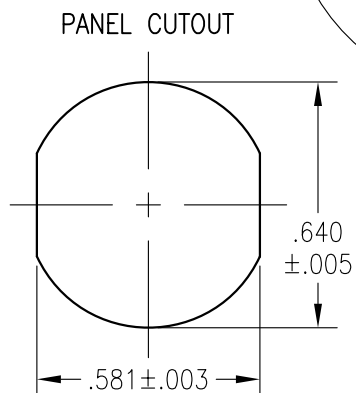
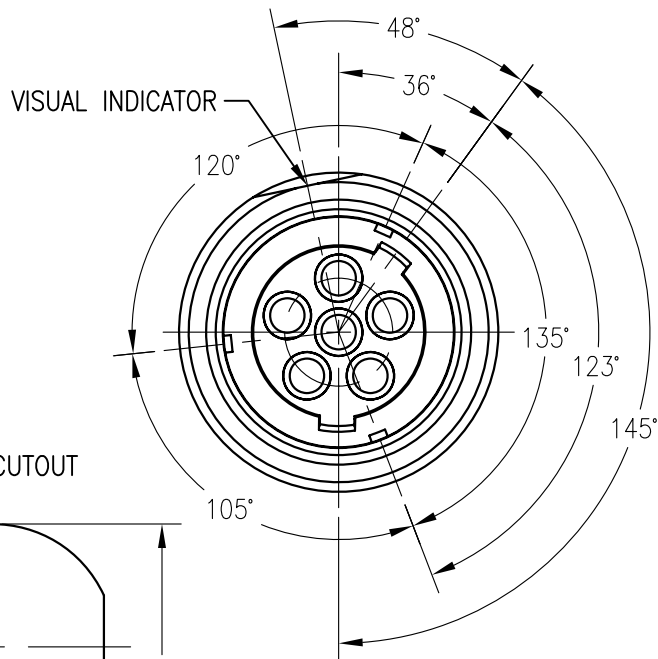


THESE ITEM(S)/TECHNICAL DATA ARE CONTROLLED BY THE DEPARTMENT OF STATE, INTERNATIONAL TRAFFIC IN ARMS REGULATION(S) (ITAR) 22 CFR PARTS 120-130 AND CAN NOT BE EXPORTED FROM THE UNITED STATES OR SHARED WITH A FOREIGN NATIONAL WITHOUT PRIOR APPROVAL FROM THE UNITED STATES GOVERNMENT.

REVISIONS

REV.	DESCRIPTION	DATE	APPROVED
1	PRELIMINARY RELEASE	06-06-08	AH
A	RELEASED TO PRODUCTION	02-10-09	AH

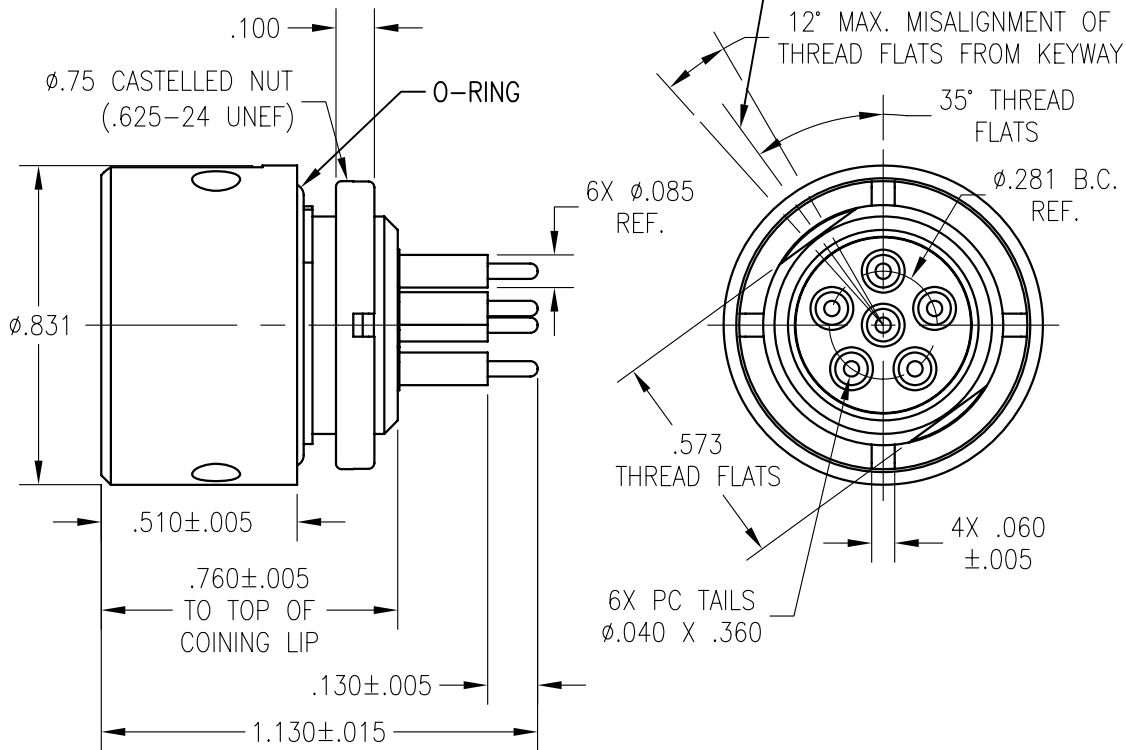


MAXIMUM PANEL THICKNESS .125

F/N: MC529-27CN4.dwg

NEXT ASSEMBLY USED ON

APPLICATIONS



QTY REQD	FSCM NO.	PART OR IDENTIFYING NO.	NOMENCLATURE OR DESCRIPTION	MATERIAL SPECIFICATION	ITEM									
PARTS LIST														
<p>UNLESS OTHERWISE SPECIFIED DIMENSIONS ARE IN INCHES TOLERANCES ARE:</p> <table border="1"> <tr> <td>FRACTIONS</td> <td>DECIMALS</td> <td>ANGLES</td> </tr> <tr> <td>±1/64</td> <td>.XX ±.01</td> <td>±1/2°</td> </tr> <tr> <td></td> <td>.XXX ±.003</td> <td></td> </tr> </table>			FRACTIONS	DECIMALS	ANGLES	±1/64	.XX ±.01	±1/2°		.XXX ±.003		<p>CONTRACT NO.</p>		<p>MIL-CONTM AN AFFILIATE OF THE PHOENIX COMPANY OF CHICAGO</p>
FRACTIONS	DECIMALS	ANGLES												
±1/64	.XX ±.01	±1/2°												
	.XXX ±.003													
<p>THE INFORMATION DISCLOSED IN THIS DOCUMENT IS CONFIDENTIAL AND PROPRIETARY TO MIL-CON INC. AND MAY NOT BE USED FOR MANUFACTURE OR ANY OTHER PURPOSE WITHOUT THE WRITTEN CONSENT OF MIL-CON INC.</p>			<p>APPROVALS</p> <table border="1"> <tr> <th>APPROVALS</th> <th>DATE</th> </tr> <tr> <td>DRAWN A. Huezo</td> <td>04/03/08</td> </tr> <tr> <td>CHECKED C. Velasco</td> <td>02/10/09</td> </tr> <tr> <td>ISSUED</td> <td></td> </tr> </table>		APPROVALS	DATE	DRAWN A. Huezo	04/03/08	CHECKED C. Velasco	02/10/09	ISSUED			
APPROVALS	DATE													
DRAWN A. Huezo	04/03/08													
CHECKED C. Velasco	02/10/09													
ISSUED														
			<p>MC529-27CN4 AUDIO CONNECTOR ø.040 X .360 PC MOUNT W/ ø.085 SHOULDER</p>											
		SIZE	FSCM NO.	DWG. NO.	REV.									
		A	63525	SD: MC529-27CN4	A									
DO NOT SCALE DRAWING			SCALE NONE	SHEET 1 OF 2										

SPECIFICATIONS:

1) MATERIALS:

SHELL & PANEL NUT: STAINLESS STEEL.
 CONTACTS: COPPER ALLOY.
 INSULATOR: DIALLYL PHTHALATE PER
 MIL-M-14, TYPE MDG.

2) FINISHES/COLOR:

SHELL & PANEL NUT: PASSIVATED, SAND
 BLASTED.
 CONTACTS: .000030 GOLD PER
 MIL-G-45204, TYPE II,
 CLASS 0, OVER .000100
 NICKEL PER QQ-N-290.
 INSULATOR: BLUE.

3) ELECTRICAL PROPERTIES

OPERATING VOLTAGE: 60 VOLTS MAX. POTENTIAL.
 CURRENT RATING: 0.5 AMPS MAX.
 DIELECTRIC BREAKDOWN: 500 VOLTS RMS.
 INSULATION RESISTANCE: 1000 MEGOHMS MIN.
 CONTACT RESISTANCE (MATED): 0.04 OHMS MAX.

4) MECHANICAL PROPERTIES:

AIR PRESSURE: 2.5 P.S.I.
 WATER IMMERSION: 48 HOURS AT 6 FEET.
 DURABILITY: 3000 CYCLES, MATE AND UNMATE.
 OPERATING TEMPERATURE: -55°C TO +85°C.

5) MC529-27CN4 MATES WITH:

MC283 - ALL VERSIONS.
 MC283F - ALL VERSIONS.
 MC283R - ALL VERSIONS.
 MC328 - ALL VERSIONS.
 MC683S - ALL VERSIONS.

6) UNLESS OTHERWISE SPECIFIED, DIMENSIONS
 SHOWN ARE FOR REFERENCE ONLY.

MIL-CON™

DRAWN A. Huevo

ISSUED

FILE NAME: MC529-27CN4.dwg

SIZE	FSCM NO.	DWG. NO.	REV.
A	63525	SD: MC529-27CN4	A
SCALE NONE		SHEET 2	OF 2