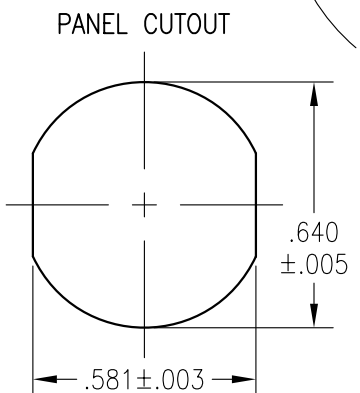
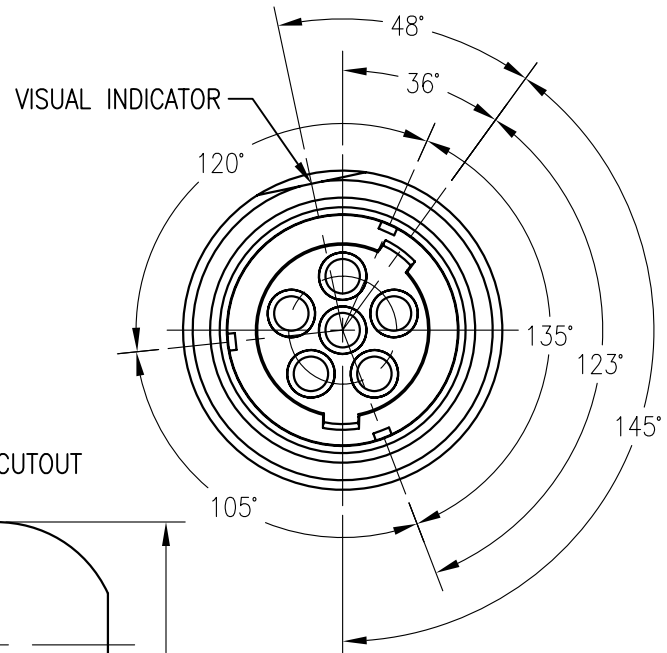


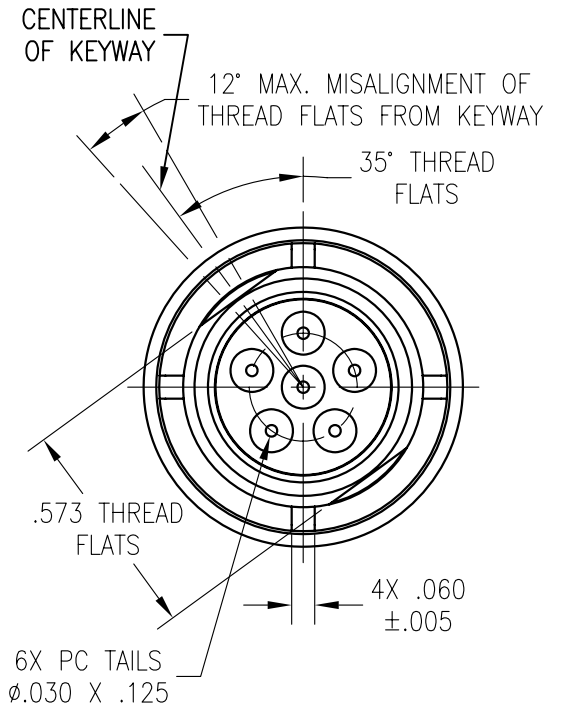
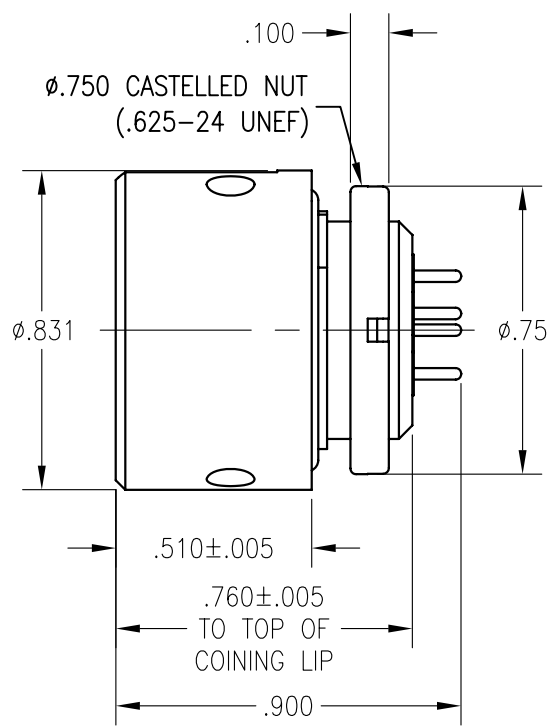
REVISIONS			
REV.	DESCRIPTION	DATE	APPROVED
0	PRELIMINARY RELEASE	09-04-03	CBV
A	RELEASED FOR PRODUCTION	09-15-03	CBV
B	DELETED NOTE 7: ECO-05633	11-10-06	CBV



MAXIMUM PANEL THICKNESS .125

F/N: MC529-24CN4.dwg

NEXT ASSEMBLY USED ON



QTY REQD	FSCM NO.	PART OR IDENTIFYING NO.	NOMENCLATURE OR DESCRIPTION	MATERIAL SPECIFICATION	ITEM												
PARTS LIST																	
<p>UNLESS OTHERWISE SPECIFIED DIMENSIONS ARE IN INCHES TOLERANCES ARE:</p> <table border="1"> <tr> <td>FRACTIONS</td> <td>DECIMALS</td> <td>ANGLES</td> </tr> <tr> <td>±1/64</td> <td>.XX ±.01</td> <td>±1/2°</td> </tr> <tr> <td></td> <td>.XXX ±.003</td> <td></td> </tr> </table>			FRACTIONS	DECIMALS	ANGLES	±1/64	.XX ±.01	±1/2°		.XXX ±.003		<p>CONTRACT NO.</p> <p>MIL-CONTM AN AFFILIATE OF THE PHOENIX COMPANY OF CHICAGO</p>					
			FRACTIONS	DECIMALS	ANGLES												
±1/64	.XX ±.01	±1/2°															
	.XXX ±.003																
<p>THE INFORMATION DISCLOSED IN THIS DOCUMENT IS CONFIDENTIAL AND PROPRIETARY TO MIL-CON INC. AND MAY NOT BE USED FOR MANUFACTURE OR ANY OTHER PURPOSE WITHOUT THE WRITTEN CONSENT OF MIL-CON INC.</p>			<p>APPROVALS</p> <table border="1"> <tr> <td>DRAWN</td> <td>C. Velasco</td> <td>DATE</td> <td>09/04/03</td> </tr> <tr> <td>CHECKED</td> <td>A. Huezo</td> <td>DATE</td> <td>11/13/06</td> </tr> <tr> <td>ISSUED</td> <td></td> <td></td> <td></td> </tr> </table>			DRAWN	C. Velasco	DATE	09/04/03	CHECKED	A. Huezo	DATE	11/13/06	ISSUED			
DRAWN	C. Velasco	DATE	09/04/03														
CHECKED	A. Huezo	DATE	11/13/06														
ISSUED																	
<p>APPLICATIONS</p>			<p>MC529-24CN4 AUDIO CONNECTOR Ø.030-.125 PC MOUNT</p>														
<p>DO NOT SCALE DRAWING</p>			<p>SIZE</p> <p>A</p>	<p>FSCM NO.</p> <p>63525</p>	<p>DWG. NO.</p> <p>SD: MC529-24CN4</p>												
			<p>SCALE</p> <p>NONE</p>	<p>SHEET</p> <p>1</p>	<p>OF</p> <p>2</p>												
				<p>REV.</p> <p>B</p>													

SPECIFICATIONS:

1) MATERIALS:

SHELL & HEX NUT: STAINLESS STEEL.
CONTACTS: COPPER ALLOY.
INSULATOR: DIALLYL PHTHALATE PER
MIL-M-14, TYPE MDG.

2) FINISHES/COLOR:

SHELL & HEX NUT: PASSIVATED, SAND
BLASTED.
CONTACTS: .000030 GOLD PER
MIL-G-45204, TYPE I,
CLASS 0, OVER .000100
NICKEL PER QQ-N-290.
INSULATOR: BLUE.

3) ELECTRICAL PROPERTIES

OPERATING VOLTAGE: 60 VOLTS MAX. POTENTIAL.
CURRENT RATING: 0.5 AMPS MAX.
DIELECTRIC BREAKDOWN: 500 VOLTS RMS.
INSULATION RESISTANCE: 1000 MEGOHMS MIN.
CONTACT RESISTANCE (MATED): 0.04 OHMS MAX.

4) MECHANICAL PROPERTIES:

AIR PRESSURE: 2.5 P.S.I.
WATER IMMERSION: 48 HOURS AT 6 FEET.
DURABILITY: 3000 CYCLES, MATE AND UNMATE.
OPERATING TEMPERATURE: -55°C TO +85°C.

5) MC529-24CN4 MATES WITH:

MC283 - ALL VERSIONS.
MC283F - ALL VERSIONS.
MC283R - ALL VERSIONS.
MC328 - ALL VERSIONS.
MC683S - ALL VERSIONS.

6) UNLESS OTHERWISE SPECIFIED, DIMENSIONS
SHOWN ARE FOR REFERENCE ONLY.

MIL-CONTM

DRAWN C. Velasco

ISSUED

FILE NAME: MC529-24CN4.dwg

SIZE

A

FSCM NO.

63525

DWG. NO.

SD: MC529-24CN4

REV.

B

SCALE NONE

SHEET 2 OF 2