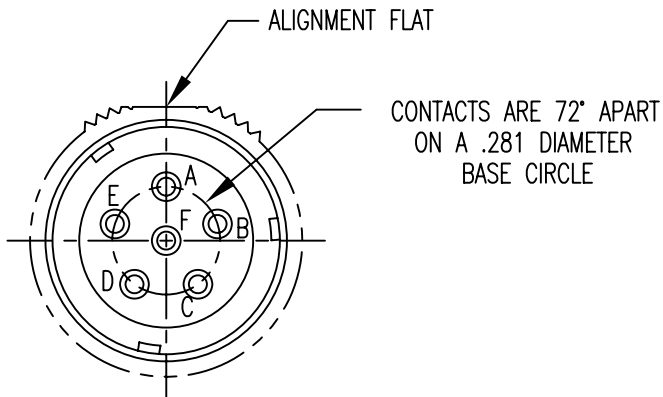
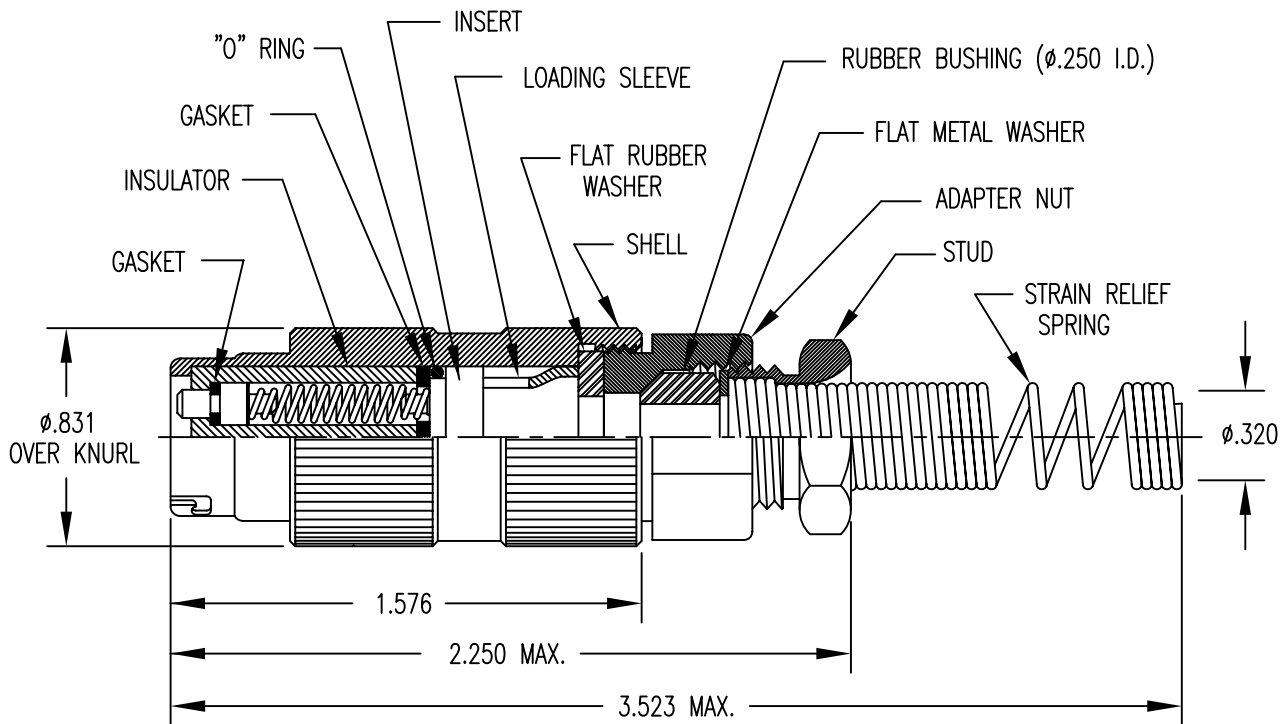


APPLICATIONS		REVISIONS			
NEXT ASSEMBLY	USED ON	REV.	DESCRIPTION	DATE	APPROVED
		A	RELEASED TO SALES	2-11-00	CBV
		B	DELETED NOTE 7; ECO-05633	11-10-06	CBV



FILE NAME: MC328B9.dwg

UNLESS OTHERWISE SPECIFIED
DIMENSIONS ARE IN INCHES
TOLERANCES ARE:
FRACTIONS DECIMALS ANGLES
±1/64 .XX ±.01 ±1/2°
.XXX ±.003

CONTRACT NO.	
APPROVALS	DATE

MIL-CON™
AN AFFILIATE OF THE PHOENIX COMPANY OF CHICAGO

MC328B9 AUDIO CONNECTOR

THE INFORMATION DISCLOSED IN
THIS DOCUMENT IS CONFIDENTIAL
AND PROPRIETARY TO MIL-CON,
INC. AND MAY NOT BE USED FOR
MANUFACTURE OR ANY OTHER
PURPOSE WITHOUT THE WRITTEN
CONSENT OF MIL-CON, INC.

DRAWN	C. Velasco	02/11/00
CHECKED	A. Huevo	11/13/06
ISSUED		

SIZE	FSCM NO.	DWG. NO.	REV.
A	63525	SD: MC328B9	B

DO NOT SCALE DRAWING

SCALE	NONE	SHEET 1 OF 2
-------	------	--------------

SPECIFICATIONS:

- 1) MATERIALS:
SHELL: STAINLESS STEEL
ADAPTER NUT AND STUD: ALUMINUM ALLOY
STRAIN RELIEF: STEEL
CONTACTS: COPPER ALLOY
INSULATOR: DIALLYL PHTHALATE PER MIL-M-14, TYPE MDG
- 2) FINISHES/COLOR:
SHELL: PASSIVATED, SAND BLASTED
ADAPTER NUT AND STUD: BLACK ANODIZING
STRAIN RELIEF: BLACK OXIDE
CONTACTS: .000030 GOLD PER MIL-G-45204, TYPE I,
CLASS 0; OVER .000100 NICKEL PER QQ-N-290
INSULATOR: BLUE
- 3) ELECTRICAL PROPERTIES:
OPERATING VOLTAGE: 60 VOLTS MAXIMUM POTENTIAL
CURRENT RATING: 0.5 AMPS MAXIMUM
DIELECTRIC BREAKDOWN: 500 VOLTS RMS
INSULATION RESISTANCE: 1000 MEGOHMS MINIMUM
CONTACT RESISTANCE (MATED): 0.04 OHMS MAXIMUM
- 4) MECHANICAL PROPERTIES:
AIR PRESSURE: 2.5 P.S.I.
WATER IMMERSION: 48 HOURS AT 6 FEET
DURABILITY: 3000 CYCLES, MATE AND UNMATE
- 5) MC328B9 PLUG MATES WITH:
MC229 - ALL VERSIONS
MC217 - ALL VERSIONS
- 6) DIMENSIONS ARE FOR REFERENCE ONLY, UNLESS OTHERWISE SPECIFIED

MIL-CON TM	FILE NAME: MC328B9.dwg			
	SIZE	FSCM NO.	DWG. NO.	REV.
	A	63525	SD: MC328B9	B
DRAWN A. Green	SCALE	NONE	SHEET 2	OF 2
ISSUED				