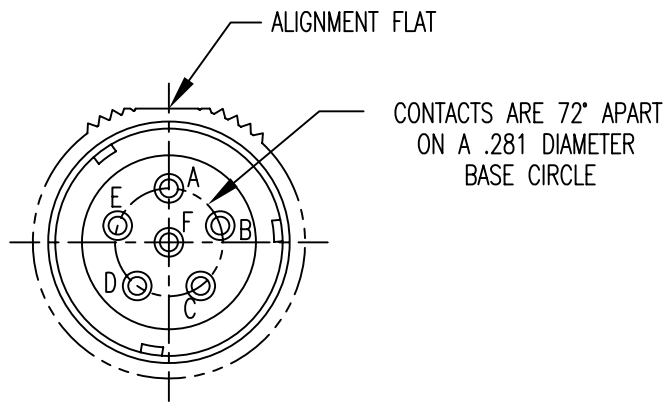
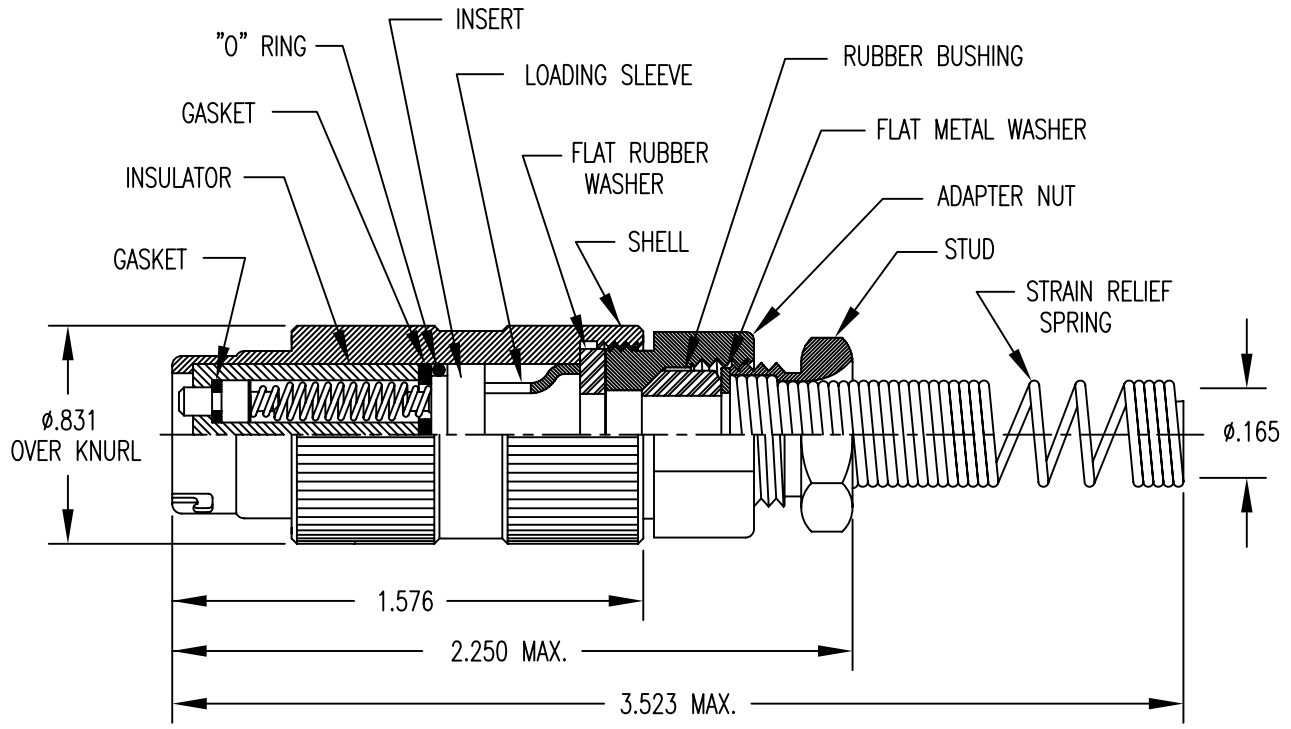


| APPLICATIONS | | REVISIONS | | | |
|---------------|---------|-----------|---------------------------|----------|----------|
| NEXT ASSEMBLY | USED ON | REV. | DESCRIPTION | DATE | APPROVED |
| | | A | RELEASED TO SALES | 3-15-91 | AG |
| | | B | DELETED NOTE 7; ECO-05633 | 11-10-06 | CBV |



FILE NAME: MC328B5.dwg

| | | | | | |
|---|---------------------|--|---|--|---|
| UNLESS OTHERWISE SPECIFIED DIMENSIONS ARE IN INCHES TOLERANCES ARE: FRACTIONS DECIMALS ANGLES $\pm 1/64$.XX ± 0.01 $\pm 1/2^\circ$.XXX ± 0.003 | CONTRACT NO. | | MIL-CON™ AN AFFILIATE OF THE PHOENIX COMPANY OF CHICAGO | | |
| | APPROVALS | | | | |
| THE INFORMATION DISCLOSED IN THIS DOCUMENT IS CONFIDENTIAL AND PROPRIETARY TO MIL-CON, INC. AND MAY NOT BE USED FOR MANUFACTURE OR ANY OTHER PURPOSE WITHOUT THE WRITTEN CONSENT OF MIL-CON, INC. | DRAWN A. Green | | 03/15/91 | | MC328B5 AUDIO CONNECTOR SIZE FSCM NO. DWG. NO. REV. A 63525 SD: MC328B5 B |
| | CHECKED A. Huevo | | 11/13/06 | | |
| | ISSUED | | | | |
| DO NOT SCALE DRAWING | SCALE NONE | | SHEET 1 OF 2 | | |

SPECIFICATIONS:

- 1) MATERIALS:
 SHELL: STAINLESS STEEL
 ADAPTER NUT AND STUD: ALUMINUM ALLOY
 STRAIN RELIEF: STEEL
 CONTACTS: COPPER ALLOY
 INSULATOR: DIALLYL PHTHALATE PER MIL-M-14, TYPE MDG

- 2) FINISHES/COLOR:
 SHELL: PASSIVATED, SAND BLASTED
 ADAPTER NUT AND STUD: BLACK ANODIZING
 STRAIN RELIEF: BLACK OXIDE
 CONTACTS: .000030 GOLD PER MIL-G-45204, TYPE I,
 CLASS 0; OVER .000100 NICKEL PER QQ-N-290
 INSULATOR: BLUE

- 3) ELECTRICAL PROPERTIES:
 OPERATING VOLTAGE: 60 VOLTS MAXIMUM POTENTIAL
 CURRENT RATING: 0.5 AMPS MAXIMUM
 DIELECTRIC BREAKDOWN: 500 VOLTS RMS
 INSULATION RESISTANCE: 1000 MEGOHMS MINIMUM
 CONTACT RESISTANCE (MATED): 0.04 OHMS MAXIMUM

- 4) MECHANICAL PROPERTIES:
 AIR PRESSURE: 2.5 P.S.I.
 WATER IMMERSION: 48 HOURS AT 6 FEET
 DURABILITY: 3000 CYCLES, MATE AND UNMATE

- 5) MC328B5 PLUG MATES WITH:
 MC229 - ALL VERSIONS
 MC217 - ALL VERSIONS

- 6) DIMENSIONS ARE FOR REFERENCE ONLY, UNLESS OTHERWISE SPECIFIED

| | | | | |
|------------------------------|------------------------|--------------------------|-------------------------|------------------|
| MIL-CON TM | FILE NAME: MC328B5.dwg | | | |
| | SIZE A | FSCM NO. 63525 | DWG. NO. SD: MC328B5 | REV. B |
| | DRAWN A. Green | SCALE NONE | SHEET 2 | OF 2 |
| ISSUED | | | | |