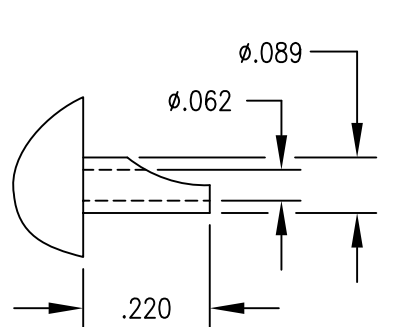
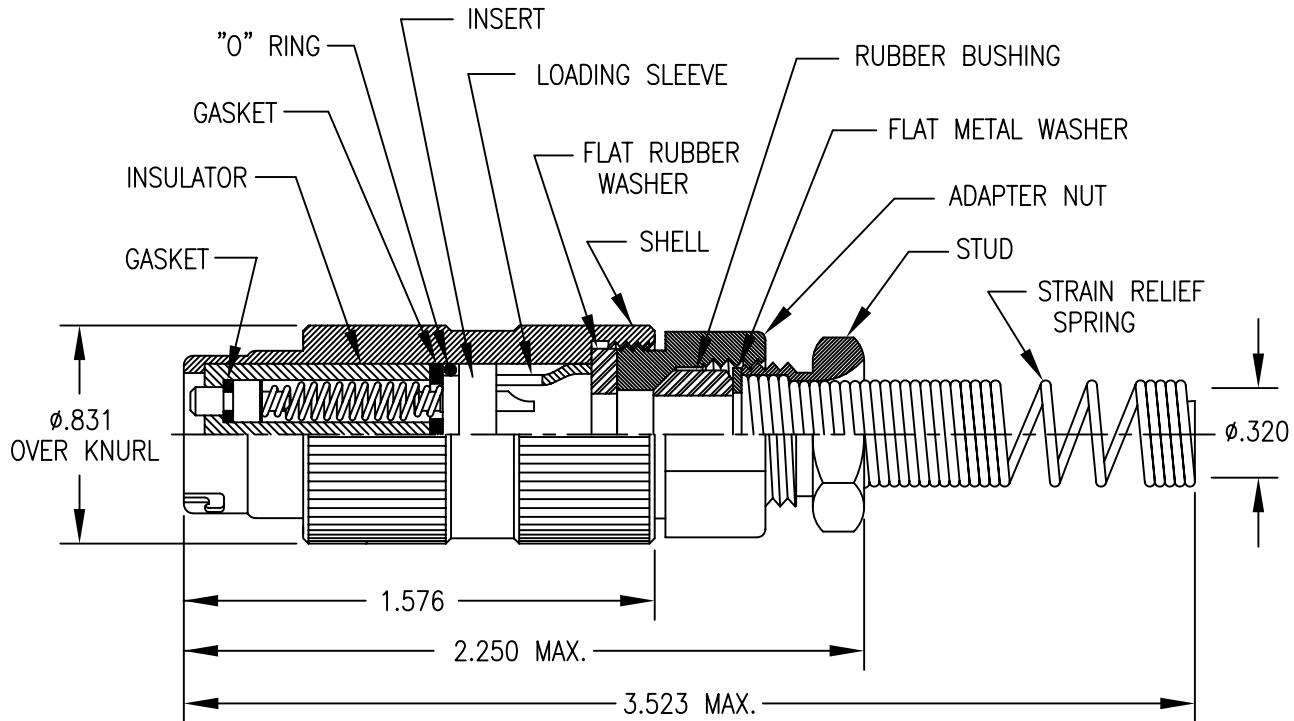
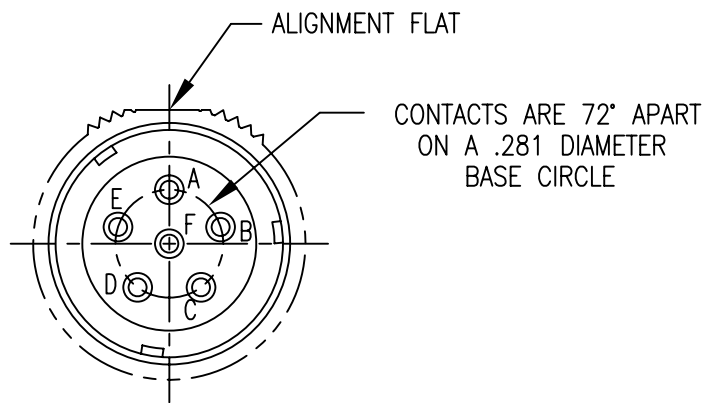


APPLICATIONS		REVISIONS			
NEXT ASSEMBLY	USED ON	REV.	DESCRIPTION	DATE	APPROVED
		A	RELEASED TO SALES	03-15-91	AG
		B	ERROR CORRECTION: BC TERMINATION WAS SOLDER CUP TERMINATION, ECO2693	02-28-00	CBV
		C	ERROR CORRECTION: SOLDER CUP TERMINATION WAS BC TERMINATION, ECO-04541	03-16-04	CBV
		D	DELETED NOTE 7; ECO-05633	11-10-06	CBV



SOLDER CUP TERMINATION DETAIL



FILE NAME: MC328B1.dwg

UNLESS OTHERWISE SPECIFIED DIMENSIONS ARE IN INCHES TOLERANCES ARE: FRACTIONS DECIMALS ANGLES $\pm 1/64$ .XX $\pm 0.01$ $\pm 1/2^\circ$ .XXX $\pm 0.003$	CONTRACT NO.		<b>MIL-CON™</b> AN AFFILIATE OF THE PHOENIX COMPANY OF CHICAGO					
	APPROVALS					DATE		
THE INFORMATION DISCLOSED IN THIS DOCUMENT IS CONFIDENTIAL AND PROPRIETARY TO MIL-CON, INC. AND MAY NOT BE USED FOR MANUFACTURE OR ANY OTHER PURPOSE WITHOUT THE WRITTEN CONSENT OF MIL-CON, INC.	DRAWN	A. Green	03/15/91		MC328B1 AUDIO CONNECTOR			
	CHECKED	A. Huezo	11/13/06					
	ISSUED							
DO NOT SCALE DRAWING	SIZE	A	FSCM NO.	63525	DWG. NO.	SD: MC328B1	REV.	D
	SCALE	NONE			SHEET	1	OF	2

SPECIFICATIONS:

- 1) MATERIALS:  
 SHELL: STAINLESS STEEL  
 ADAPTER NUT AND STUD: ALUMINUM ALLOY  
 STRAIN RELIEF: STEEL  
 CONTACTS: COPPER ALLOY  
 INSULATOR: DIALLYL PHTHALATE PER MIL-M-14, TYPE MDG
  
- 2) FINISHES/COLOR:  
 SHELL: PASSIVATED, SAND BLASTED  
 ADAPTER NUT AND STUD: BLACK ANODIZING  
 STRAIN RELIEF: BLACK OXIDE  
 CONTACTS: .000030 GOLD PER MIL-G-45204, TYPE I,  
                   CLASS 0; OVER .000100 NICKEL PER QQ-N-290  
 INSULATOR: BLUE
  
- 3) ELECTRICAL PROPERTIES:  
 OPERATING VOLTAGE: 60 VOLTS MAXIMUM POTENTIAL  
 CURRENT RATING: 0.5 AMPS MAXIMUM  
 DIELECTRIC BREAKDOWN: 500 VOLTS RMS  
 INSULATION RESISTANCE: 1000 MEGOHMS MINIMUM  
 CONTACT RESISTANCE (MATED): 0.04 OHMS MAXIMUM
  
- 4) MECHANICAL PROPERTIES:  
 AIR PRESSURE: 2.5 P.S.I.  
 WATER IMMERSION: 48 HOURS AT 6 FEET  
 DURABILITY: 3000 CYCLES, MATE AND UNMATE
  
- 5) MC328B1 PLUG MATES WITH:  
 MC229 - ALL VERSIONS  
 MC217 - ALL VERSIONS  
 MC529 - ALL VERSIONS  
 MC729 - ALL VERSIONS
  
- 6) DIMENSIONS ARE FOR REFERENCE ONLY, UNLESS OTHERWISE SPECIFIED

<b>MIL-CON</b> <sup>TM</sup>	FILE NAME: MC328B1.dwg			
	SIZE <b>A</b>	FSCM NO. <b>63525</b>	DWG. NO. SD: MC328B1	REV. D
	DRAWN A .Green	SCALE NONE	SHEET 2	OF 2
ISSUED				