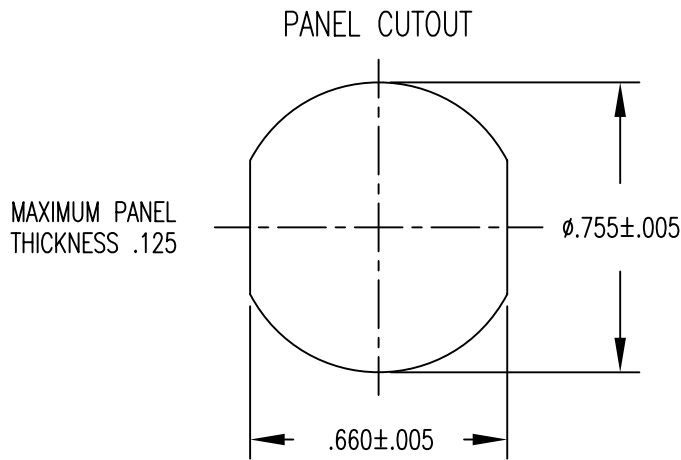
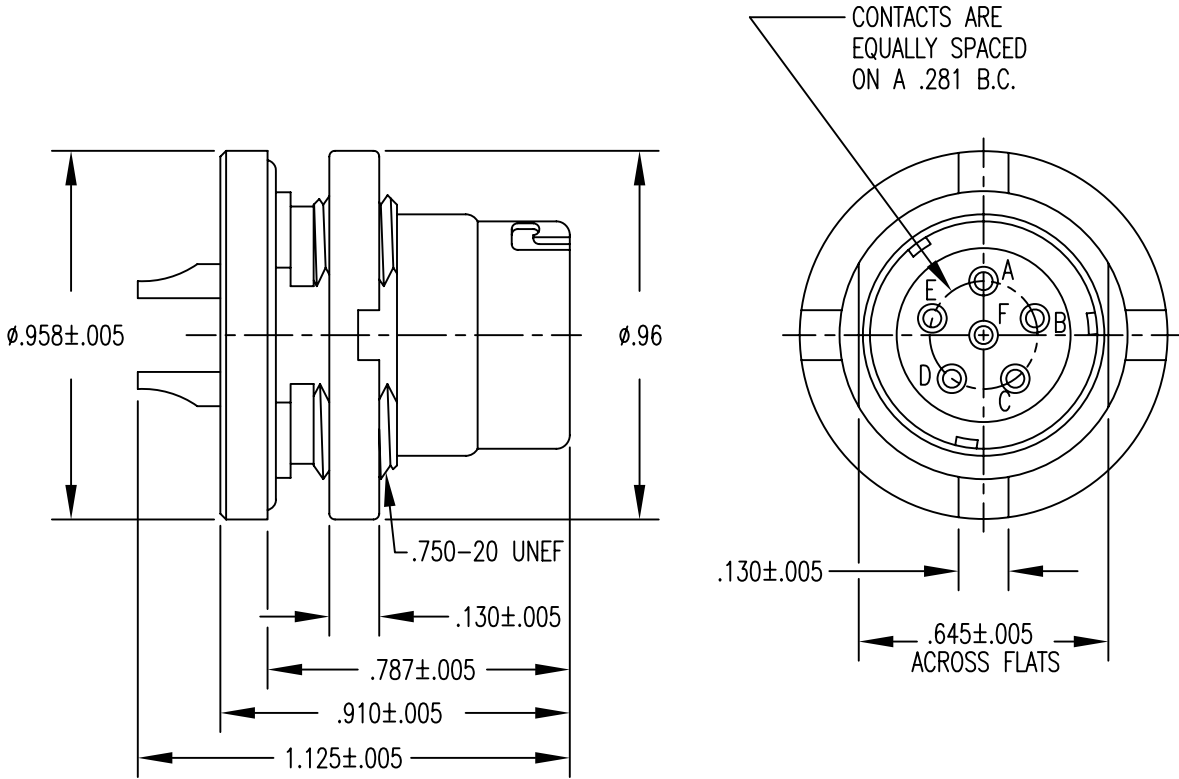


APPLICATIONS		REVISIONS			
NEXT ASSEMBLY	USED ON	REV.	DESCRIPTION	DATE	APPROVED

		A	RELEASED TO SALES;ENN:0005	12-10-90	AG
		B	REVISED	06-05-90	AG
		C	DELETED NOTE 7; 1.125±.005 WAS 1.125; ø.958±.005 WAS ø.960±.003; ECO-05624	10-12-06	CBV



FILE NAME: MC283.dwg

UNLESS OTHERWISE SPECIFIED
DIMENSIONS ARE IN INCHES
TOLERANCES ARE:
FRACTIONS DECIMALS ANGLES
 $\pm 1/64$ $.XX \pm .01$ $\pm 1/2^\circ$
 $.XXX \pm .003$

THE INFORMATION DISCLOSED IN
THIS DOCUMENT IS CONFIDENTIAL
AND PROPRIETARY TO MIL-CON,
INC. AND MAY NOT BE USED FOR
MANUFACTURE OR ANY OTHER
PURPOSE WITHOUT THE WRITTEN
CONSENT OF MIL-CON, INC.

CONTRACT NO.	
APPROVALS	DATE
DRAWN A. Green	10/11/06
CHECKED A. Huevo	10/13/06
ISSUED	

MIL-CON™

AN AFFILIATE OF THE PHOENIX COMPANY OF CHICAGO

MC283 AUDIO CONNECTOR

SIZE A	FSCM NO. 63525	DWG. NO. SD: MC283	REV. C
SCALE NONE	SHEET 1 OF 2		

DO NOT SCALE DRAWING

SPECIFICATIONS:

- 1) MATERIALS:
 SHELL AND PANEL NUT: STAINLESS STEEL
 CONTACTS: COPPER ALLOY
 INSULATOR: DIALLYL PHTHALATE PER MIL-M-14, TYPE MDG
- 2) FINISHES/COLOR:
 SHELL AND PANEL NUT: PASSIVATED, SAND BLASTED
 CONTACTS: .000030 GOLD PER MIL-G-45204, TYPE II,
 CLASS 0; OVER .000100 NICKEL PER QQ-N-290
 INSULATOR: BLUE
- 3) ELECTRICAL PROPERTIES:
 OPERATING VOLTAGE: 60 VOLTS MAXIMUM POTENTIAL
 CURRENT RATING: 0.5 AMPS MAXIMUM
 DIELECTRIC BREAKDOWN: 500 VOLTS RMS
 INSULATION RESISTANCE: 1000 MEGOHMS MINIMUM
 CONTACT RESISTANCE (MATED): 0.04 OHMS MAXIMUM
- 4) MECHANICAL PROPERTIES:
 AIR PRESSURE: 2.5 P.S.I.
 WATER IMMERSION: 48 HOURS AT 6 FEET
 DURABILITY: 3000 CYCLES, MATE AND UNMATE
- 5) MC283 RECEPTACLE MATES WITH:
 MC617 - ALL VERSIONS
 MC329 - ALL VERSIONS
- 6) DIMENSIONS ARE FOR REFERENCE ONLY, UNLESS OTHERWISE SPECIFIED

MIL-CON TM	FILE NAME: MC283.dwg		
	SIZE A	FSCM NO. 63525	DWG. NO. SD: MC283
	DRAWN A. Green	SCALE NONE	REV. C
ISSUED			SHEET 2 OF 2