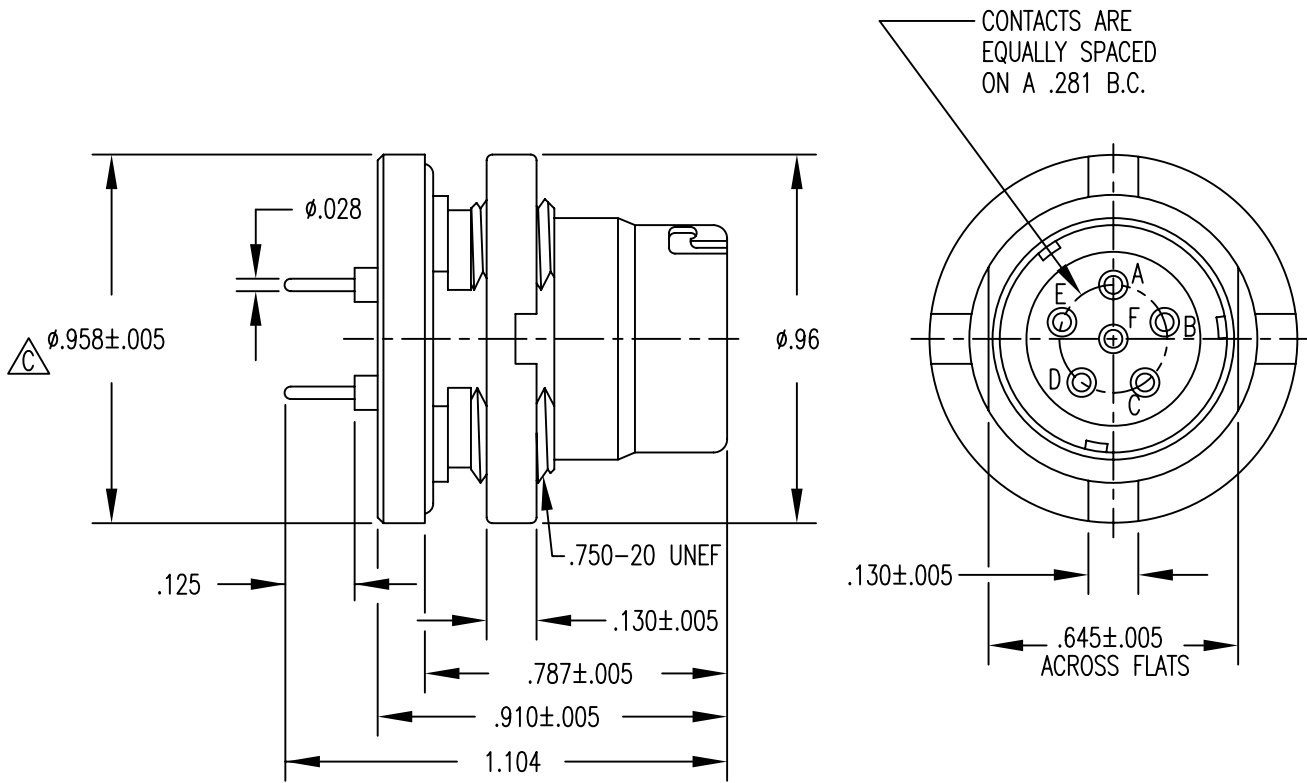


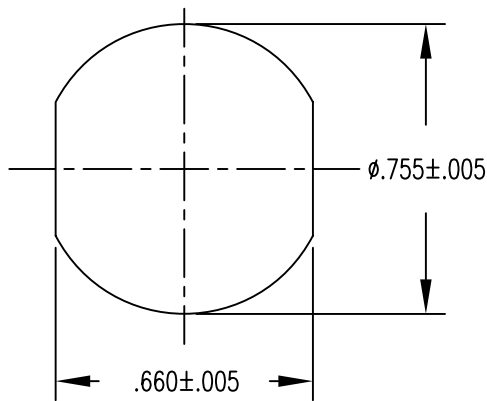
APPLICATIONS		REVISIONS			
NEXT ASSEMBLY	USED ON	REV.	DESCRIPTION	DATE	APPROVED

		A	RELEASED TO SALES; ENN: 0025	6-10-87	PB
		B	REVISED	12-13-90	AG
		C	DELETED NOTE 7; $\phi.958\pm.005$ WAS $\phi.960\pm.003$; ECO-05633	11-10-06	CBV



PANEL CUTOUT

MAXIMUM PANEL THICKNESS .125



FILE NAME: MC283R-9.dwg

UNLESS OTHERWISE SPECIFIED DIMENSIONS ARE IN INCHES TOLERANCES ARE:
 FRACTIONS DECIMALS ANGLES
 $\pm 1/64$.XX $\pm .01$ $\pm 1/2^\circ$
 .XXX $\pm .003$

CONTRACT NO.	
APPROVALS	DATE

MIL-CONTM

AN AFFILIATE OF THE PHOENIX COMPANY OF CHICAGO

MC283R-9 AUDIO CONNECTOR

THE INFORMATION DISCLOSED IN THIS DOCUMENT IS CONFIDENTIAL AND PROPRIETARY TO MIL-CON, INC. AND MAY NOT BE USED FOR MANUFACTURE OR ANY OTHER PURPOSE WITHOUT THE WRITTEN CONSENT OF MIL-CON, INC.

DRAWN	A. Green	12/13/90
CHECKED	A. Huevo	11/13/06
ISSUED		

SIZE	FSCM NO.	DWG. NO.	REV.
A	63525	SD: MC283R-9	C

DO NOT SCALE DRAWING

SCALE NONE SHEET 1 OF 2

SPECIFICATIONS:

- 1) MATERIALS:
 SHELL AND PANEL NUT: STAINLESS STEEL
 CONTACTS: COPPER ALLOY
 INSULATOR: DIALLYL PHTHALATE PER MIL-M-14, TYPE MDG

- 2) FINISHES/COLOR:
 SHELL AND PANEL NUT: PASSIVATED, SAND BLASTED
 CONTACTS: .000030 GOLD PER MIL-G-45204, TYPE II,
 CLASS 0; OVER .000100 NICKEL PER QQ-N-290
 INSULATOR: BLUE

- 3) ELECTRICAL PROPERTIES:
 OPERATING VOLTAGE: 60 VOLTS MAXIMUM POTENTIAL
 CURRENT RATING: 0.5 AMPS MAXIMUM
 DIELECTRIC BREAKDOWN: 500 VOLTS RMS
 INSULATION RESISTANCE: 1000 MEGOHMS MINIMUM
 CONTACT RESISTANCE (MATED): 0.04 OHMS MAXIMUM

- 4) MECHANICAL PROPERTIES:
 AIR PRESSURE: 2.5 P.S.I.
 WATER IMMERSION: 48 HOURS AT 6 FEET
 DURABILITY: 3000 CYCLES, MATE AND UNMATE

- 5) MC283R-9 RECEPTACLE MATES WITH:
 MC617 - ALL VERSIONS
 MC329 - ALL VERSIONS

- 6) DIMENSIONS ARE FOR REFERENCE ONLY, UNLESS OTHERWISE SPECIFIED

MIL-CON TM	FILE NAME: MC283R-9.dwg			
	SIZE A	FSCM NO. 63525	DWG. NO. SD: MC283R-9	REV. C
	DRAWN A. Green	SCALE NONE	SHEET 2	OF 2
ISSUED				