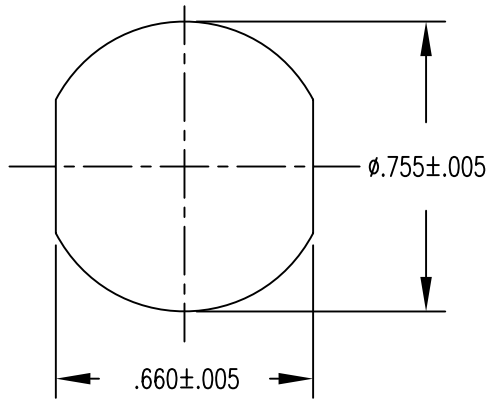


PANEL CUTOUT

MAXIMUM PANEL THICKNESS .125



FILE NAME: MC283R-8.dwg

UNLESS OTHERWISE SPECIFIED DIMENSIONS ARE IN INCHES TOLERANCES ARE:  
 FRACTIONS  $\pm 1/64$  DECIMALS  $.XX \pm .01$  ANGLES  $\pm 1/2^\circ$   
 .XXX  $\pm .003$

CONTRACT NO.	
APPROVALS	DATE

**MIL-CON™**  
 AN AFFILIATE OF THE PHOENIX COMPANY OF CHICAGO

MC283R-8 AUDIO CONNECTOR

THE INFORMATION DISCLOSED IN THIS DOCUMENT IS CONFIDENTIAL AND PROPRIETARY TO MIL-CON, INC. AND MAY NOT BE USED FOR MANUFACTURE OR ANY OTHER PURPOSE WITHOUT THE WRITTEN CONSENT OF MIL-CON, INC.

DRAWN	A. Green	12/13/90
CHECKED	A. Huezio	11/13/06
ISSUED		

SIZE	FSCM NO.	DWG. NO.	REV.
A	63525	SD: MC283R-8	C

DO NOT SCALE DRAWING

SCALE NONE SHEET 1 OF 2

SPECIFICATIONS:

- 1) MATERIALS:  
 SHELL AND PANEL NUT: STAINLESS STEEL  
 CONTACTS: COPPER ALLOY  
 INSULATOR: DIALLYL PHTHALATE PER MIL-M-14, TYPE MDG
- 2) FINISHES/COLOR:  
 SHELL AND PANEL NUT: PASSIVATED, SAND BLASTED  
 CONTACTS: .000030 GOLD PER MIL-G-45204, TYPE II,  
 CLASS 0; OVER .000100 NICKEL PER QQ-N-290  
 INSULATOR: BLUE
- 3) ELECTRICAL PROPERTIES:  
 OPERATING VOLTAGE: 60 VOLTS MAXIMUM POTENTIAL  
 CURRENT RATING: 0.5 AMPS MAXIMUM  
 DIELECTRIC BREAKDOWN: 500 VOLTS RMS  
 INSULATION RESISTANCE: 1000 MEGOHMS MINIMUM  
 CONTACT RESISTANCE (MATED): 0.04 OHMS MAXIMUM
- 4) MECHANICAL PROPERTIES:  
 AIR PRESSURE: 2.5 P.S.I.  
 WATER IMMERSION: 48 HOURS AT 6 FEET  
 DURABILITY: 3000 CYCLES, MATE AND UNMATE
- 5) MC283R-8 RECEPTACLE MATES WITH:  
 MC617 - ALL VERSIONS  
 MC329 - ALL VERSIONS
- 6) DIMENSIONS ARE FOR REFERENCE ONLY, UNLESS OTHERWISE SPECIFIED

<b>MIL-CON</b> <sup>TM</sup>	FILE NAME: MC283R-8.dwg			
	SIZE <b>A</b>	FSCM NO. <b>63525</b>	DWG. NO. SD: MC283R-8	REV. <b>C</b>
	DRAWN A. Green	SCALE NONE	SHEET 2	OF 2
ISSUED				