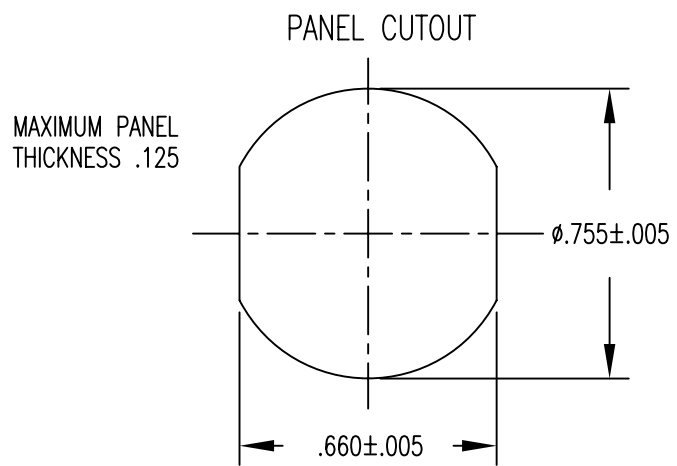
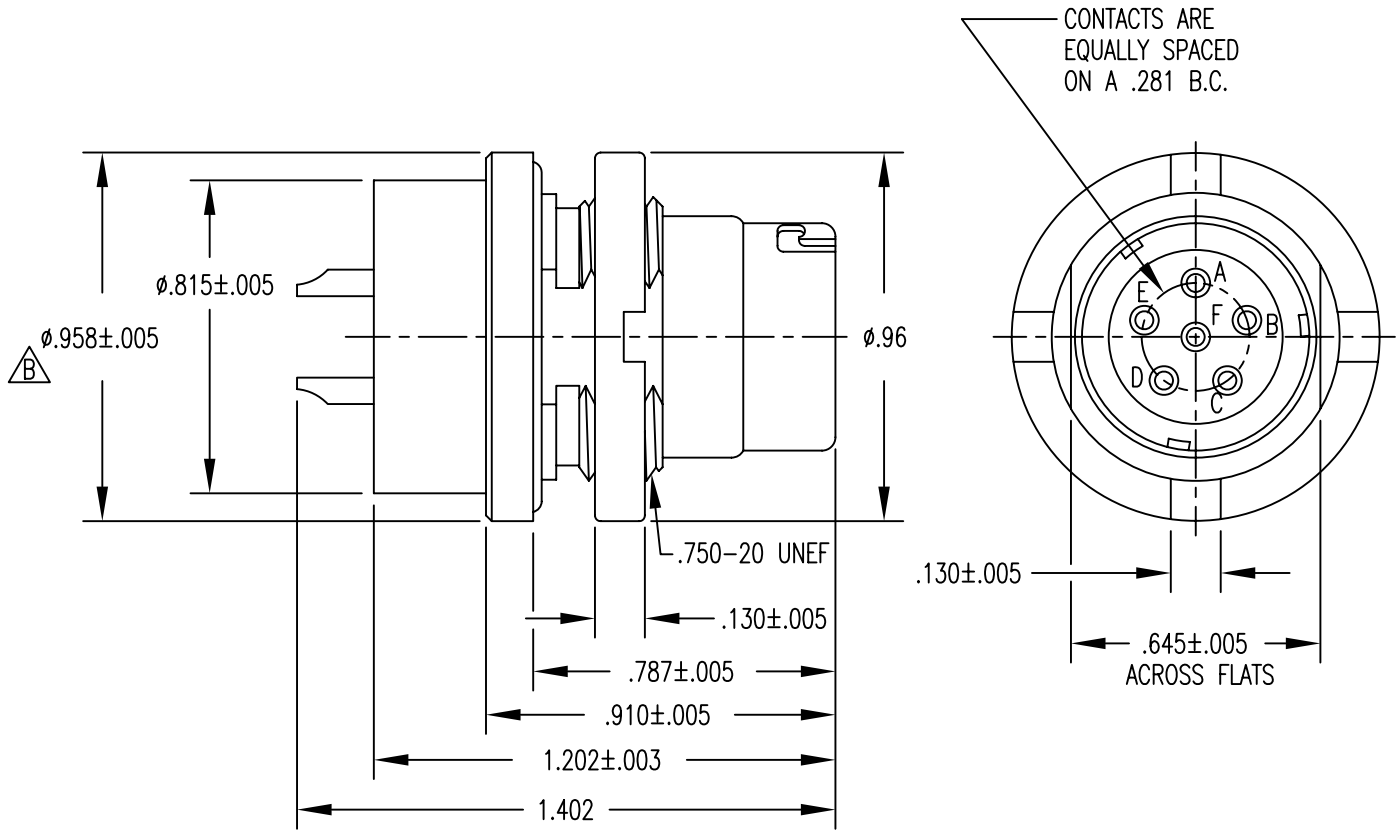


APPLICATIONS		REVISIONS			
NEXT ASSEMBLY	USED ON	REV.	DESCRIPTION	DATE	APPROVED
		A	RELEASED TO SALES & PRODUCTION	11-27-02	AH
		B	DELETED NOTE 7; RENUMBERED NOTES; Ø.958±.005 WAS Ø.960±.003; ECO-05633	11-10-06	CBV



FILE NAME: MC283F-3-025.dwg

UNLESS OTHERWISE SPECIFIED DIMENSIONS ARE IN INCHES TOLERANCES ARE: FRACTIONS DECIMALS ANGLES $\pm 1/64$.XX $\pm .01$ $\pm 1/2^\circ$.XXX $\pm .003$	CONTRACT NO.		MIL-CON™ AN AFFILIATE OF THE PHOENIX COMPANY OF CHICAGO				
	APPROVALS					DATE	MC283F-3-025 FILTERED AUDIO CONNECTOR
THE INFORMATION DISCLOSED IN THIS DOCUMENT IS CONFIDENTIAL AND PROPRIETARY TO MIL-CON, INC. AND MAY NOT BE USED FOR MANUFACTURE OR ANY OTHER PURPOSE WITHOUT THE WRITTEN CONSENT OF MIL-CON, INC.	DRAWN	A. Huevo	11/27/02	SIZE	FSCM NO.	DWG. NO.	
	CHECKED	A. Huevo	11/13/06	A	63525	SD: MC283F-3-025	B
	ISSUED			SCALE	NONE	SHEET 1	OF 2

SPECIFICATIONS:

- 1) MATERIALS:
 SHELL AND PANEL NUT: STAINLESS STEEL
 CONTACTS: COPPER ALLOY
 INSULATOR: DIALLYL PHTHALATE PER MIL-M-14, TYPE MDG
- 2) FINISHES/COLOR:
 SHELL AND PANEL NUT: PASSIVATED, SAND BLASTED
 CONTACTS: .000030 GOLD PER MIL-G-45204, TYPE I,
 CLASS 0; OVER .000100 NICKEL PER QQ-N-290
 INSULATOR: BLUE
- 3) ELECTRICAL PROPERTIES:
 OPERATING VOLTAGE: 60 VOLTS MAXIMUM POTENTIAL
 CURRENT RATING: 0.5 AMPS MAXIMUM
 DIELECTRIC BREAKDOWN: 500 VOLTS RMS
 INSULATION RESISTANCE: 1000 MEGOHMS MINIMUM
 CONTACT RESISTANCE (MATED): 0.04 OHMS MAXIMUM
- 4) MECHANICAL PROPERTIES:
 AIR PRESSURE: 2.5 P.S.I.
 WATER IMMERSION: 48 HOURS AT 6 FEET
 DURABILITY: 1500 CYCLES, MATE AND UNMATE
- 5) MC283F-3-025 RECEPTACLE MATES WITH:
 MC617 - ALL VERSIONS
 MC329 - ALL VERSIONS
- 6) DIMENSIONS ARE FOR REFERENCE ONLY, UNLESS OTHERWISE SPECIFIED
- B 7) FILTER SPECIFICATIONS:
 CAPACITANCE (1 KHz,25°C): 3000 Pf MAXIMUM
 INSERTION LOSS (MIL-STD-220,NO LOAD,25°C):
 30 Db. MIN. AT 100 MHZ TO 250 MHZ
 50 Db. MIN. AT 250 MHZ TO 1GHZ
 WORKING VOLTAGE: 50 VDC
 DIELECTRIC VOLTAGE BREAKDOWN: 150 VDC
 INSULATION RESISTANCE (150 VDC,25°C): 1000 MEGOHMS MINIMUM
 RF CURRENT: .25 AMPS MAXIMUM
- B 8) ALL PINS FILTERED

MIL-CON TM	FILE NAME: MC283F-3-025.dwg			
	SIZE A	FSCM NO. 63525	DWG. NO. SD: MC283F-3-025	REV. B
	DRAWN A. Huezio	SCALE NONE	SHEET 2	OF 2
ISSUED				