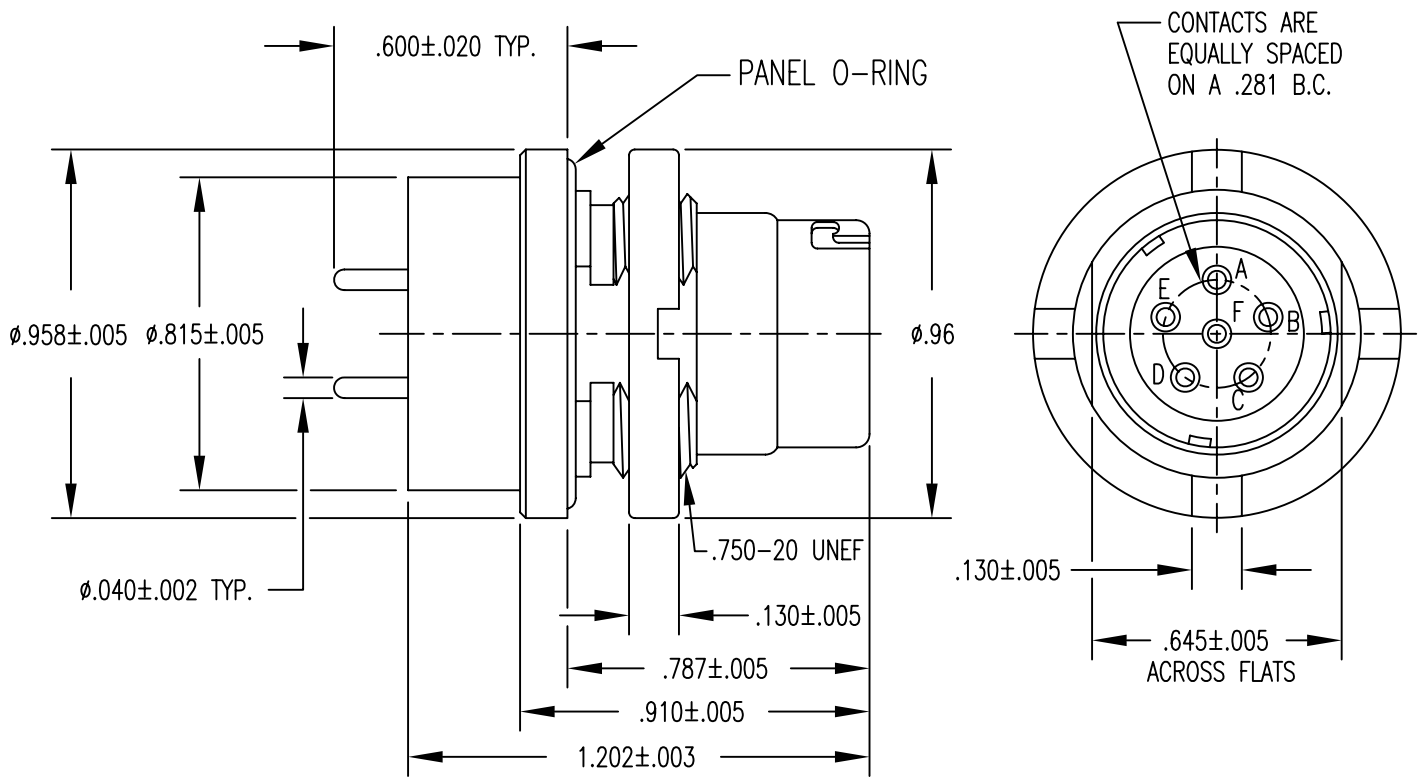
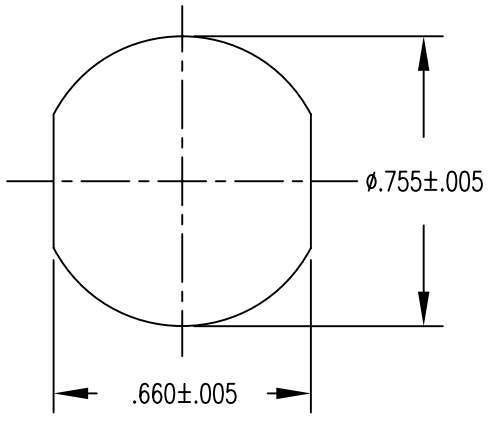


APPLICATIONS		REVISIONS			
NEXT ASSEMBLY	USED ON	REV.	DESCRIPTION	DATE	APPROVED

		A	RELEASED TO SALES	2-8-95	AG
		C	UPDATED; ECO2466	6-28-99	CBV
		D	DELETED NOTE 7; RENUMBERED NOTES; ECO-05633	11-10-06	CBV



PANEL CUTOUT



FILE NAME: MC283F-3-025-5.dwg

UNLESS OTHERWISE SPECIFIED DIMENSIONS ARE IN INCHES TOLERANCES ARE: FRACTIONS DECIMALS ANGLES $\pm 1/64$ .XX $\pm .01$ $\pm 1/2^\circ$ .XXX $\pm .003$	CONTRACT NO.		<b>MIL-CON™</b> AN AFFILIATE OF THE PHOENIX COMPANY OF CHICAGO				
	APPROVALS					DATE	MC283F-3-025-3 AUDIO CONNECTOR
THE INFORMATION DISCLOSED IN THIS DOCUMENT IS CONFIDENTIAL AND PROPRIETARY TO MIL-CON, INC. AND MAY NOT BE USED FOR MANUFACTURE OR ANY OTHER PURPOSE WITHOUT THE WRITTEN CONSENT OF MIL-CON, INC.	DRAWN	A. Green	02/08/95	SIZE	FSCM NO.	DWG. NO.	REV.
	CHECKED	A. Huezio	11/13/06	A	63525	SD: MC283F-3-025-5	D
	ISSUED			SCALE	NONE	SHEET 1	OF 2

SPECIFICATIONS:

- 1) MATERIALS:  
 SHELL AND PANEL NUT: STAINLESS STEEL  
 CONTACTS: BRASS, TEMPER HALF HARD  
 INSULATOR: DIALLYL PHTHALATE PER MIL-M-14, TYPE MDG  
 PANEL O-RING: CONDUCTIVE RUBBER
  
- 2) FINISHES/COLOR:  
 SHELL AND PANEL NUT: PASSIVATED, SAND BLASTED  
 CONTACTS: .000030 GOLD PER MIL-G-45204, TYPE I,  
 CLASS 0; OVER .000100 NICKEL PER QQ-N-290  
 INSULATOR: BLUE
  
- 3) ELECTRICAL PROPERTIES:  
 OPERATING VOLTAGE: 60 VOLTS MAXIMUM POTENTIAL  
 CURRENT RATING: 0.5 AMPS MAXIMUM  
 DIELECTRIC BREAKDOWN: 500 VOLTS RMS  
 INSULATION RESISTANCE: 1000 MEGOHMS MINIMUM  
 CONTACT RESISTANCE (MATED): 0.04 OHMS MAXIMUM
  
- 4) MECHANICAL PROPERTIES:  
 AIR PRESSURE: 2.5 P.S.I.  
 WATER IMMERSION: 48 HOURS AT 6 FEET  
 DURABILITY: 3000 CYCLES, MATE AND UNMATE
  
- 5) MC283F-3-025-5 RECEPTACLE MATES WITH:  
 MC617 - ALL VERSIONS  
 MC329 - ALL VERSIONS
  
- 6) DIMENSIONS ARE FOR REFERENCE ONLY, UNLESS OTHERWISE SPECIFIED
  
- △ 7) FILTER SPECIFICATIONS:  
 CAPACITANCE (1 KHz,25°C): 3000 pF MAXIMUM  
 INSERTION LOSS (MIL-STD-220,NO LOAD,25°C):  
 30 Db. MIN. AT 100 MHz TO 250 MHz  
 50 Db. MIN. AT 250 MHz TO 1GHz  
 WORKING VOLTAGE: 50 VDC  
 DIELECTRIC VOLTAGE BREAKDOWN: 150 VDC  
 INSULATION RESISTANCE (150 VDC,25°C): 1000 MEGOHMS MINIMUM  
 RF CURRENT: .25 AMPS MAXIMUM
  
- △ 8) ALL PINS FILTERED

<b>MIL-CON</b> <sup>TM</sup>	FILE NAME: MC283F-3-025-5.dwg			
	SIZE <b>A</b>	FSCM NO. <b>63525</b>	DWG. NO. SD: MC283F-3-025-5	REV. D
	DRAWN A. Green	SCALE NONE	SHEET 2	OF 2
ISSUED				