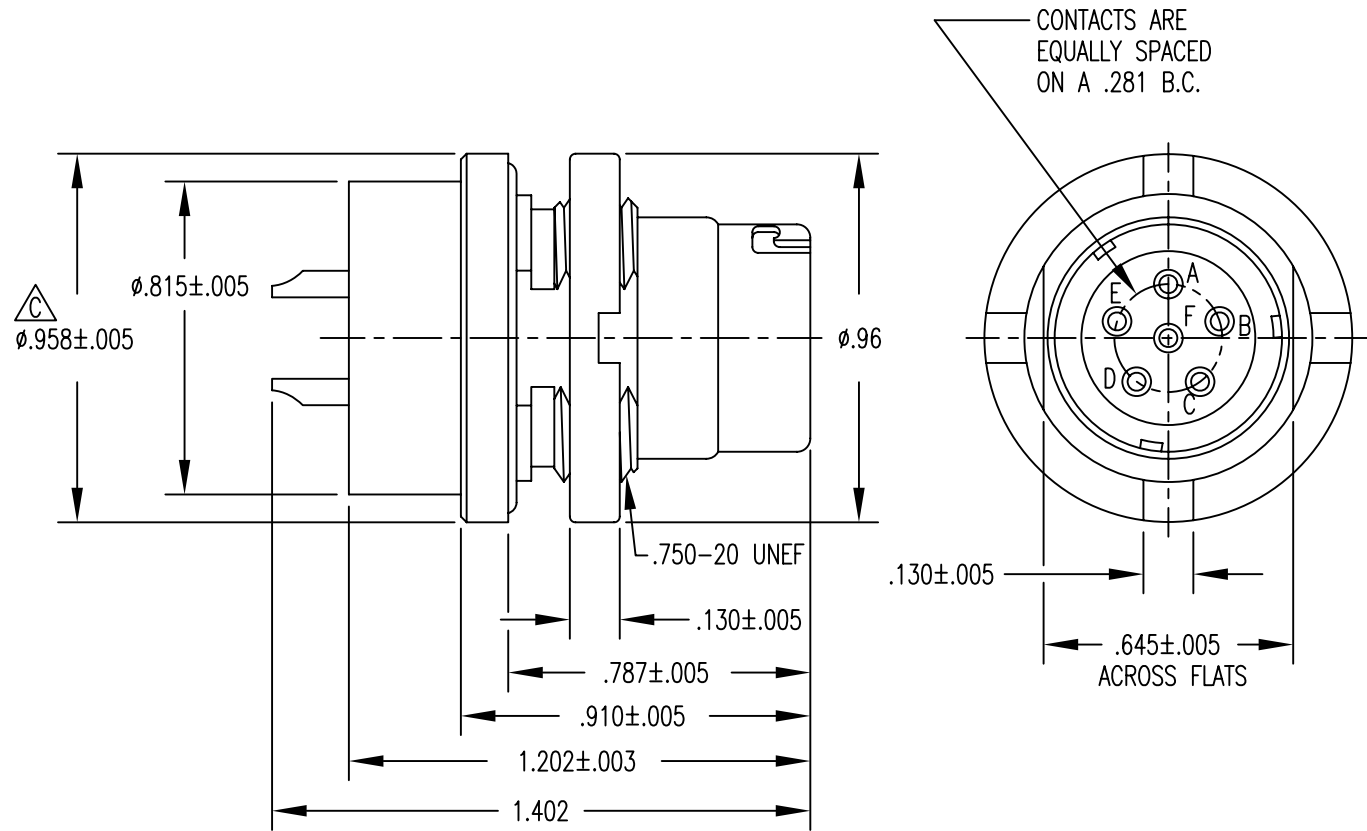


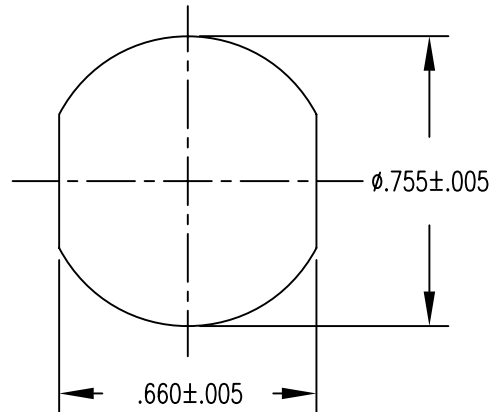
APPLICATIONS		REVISIONS			
NEXT ASSEMBLY	USED ON	REV.	DESCRIPTION	DATE	APPROVED

		A	RELEASED TO SALES	4-13-92	AG
		B	UPDATED; ECO2466	6-28-99	CBV
		C	DELETED NOTE 7; RENUMBERED NOTES; Ø.958±.005 WAS Ø.960±.003; ECO-05633	11-10-06	CBV



PANEL CUTOUT

MAXIMUM PANEL THICKNESS .125



FILE NAME: MC283F-1-025.dwg

UNLESS OTHERWISE SPECIFIED
DIMENSIONS ARE IN INCHES
TOLERANCES ARE:

FRACTIONS	DECIMALS	ANGLES
±1/64	.XX ±.01	±1/2°
	.XXX ±.003	

CONTRACT NO.	
APPROVALS	DATE
DRAWN A. Green	04/13/92
CHECKED A. Huezo	11/13/06
ISSUED	

MIL-CON™

AN AFFILIATE OF THE PHOENIX COMPANY OF CHICAGO

MC283F-1-025 AUDIO CONNECTOR

THE INFORMATION DISCLOSED IN
THIS DOCUMENT IS CONFIDENTIAL
AND PROPRIETARY TO MIL-CON,
INC. AND MAY NOT BE USED FOR
MANUFACTURE OR ANY OTHER
PURPOSE WITHOUT THE WRITTEN
CONSENT OF MIL-CON, INC.

SIZE	FSCM NO.	DWG. NO.	REV.
A	63525	SD: MC283F-1-025	C

DO NOT SCALE DRAWING

SCALE NONE

SHEET 1 OF 2

SPECIFICATIONS:

- 1) MATERIALS:
 SHELL AND PANEL NUT: STAINLESS STEEL
 CONTACTS: COPPER ALLOY
 INSULATOR: DIALLYL PHTHALATE PER MIL-M-14, TYPE MDG
- 2) FINISHES/COLOR:
 SHELL AND PANEL NUT: PASSIVATED, SAND BLASTED
 CONTACTS: .000030 GOLD PER MIL-G-45204, TYPE I,
 CLASS 0; OVER .000100 NICKEL PER QQ-N-290
 INSULATOR: BLUE
- 3) ELECTRICAL PROPERTIES:
 OPERATING VOLTAGE: 60 VOLTS MAXIMUM POTENTIAL
 CURRENT RATING: 0.5 AMPS MAXIMUM
 DIELECTRIC BREAKDOWN: 500 VOLTS RMS
 INSULATION RESISTANCE: 1000 MEGOHMS MINIMUM
 CONTACT RESISTANCE (MATED): 0.04 OHMS MAXIMUM
- 4) MECHANICAL PROPERTIES:
 AIR PRESSURE: 2.5 P.S.I.
 WATER IMMERSION: 48 HOURS AT 6 FEET
 DURABILITY: 1500 CYCLES, MATE AND UNMATE
- 5) MC283F-1-025 RECEPTACLE MATES WITH:
 MC617 - ALL VERSIONS
 MC329 - ALL VERSIONS
- 6) DIMENSIONS ARE FOR REFERENCE ONLY, UNLESS OTHERWISE SPECIFIED
- △7) FILTER SPECIFICATIONS:
 CAPACITANCE (1 KHz,25°C): 3000 Pf MAXIMUM
 INSERTION LOSS (MIL-STD-220,NO LOAD,25°C):
 30 Db. MIN. AT 100 MHZ TO 250 MHZ
 50 Db. MIN. AT 250 MHZ TO 1GHZ
 WORKING VOLTAGE: 50 VDC
 DIELECTRIC VOLTAGE BREAKDOWN: 150 VDC
 INSULATION RESISTANCE (150 VDC,25°C): 1000 MEGOHMS MINIMUM
 RF CURRENT: .25 AMPS MAXIMUM
- △8) PIN "A" GROUNDED

MIL-CON TM	FILE NAME: MC283F-1-025.dwg		
	SIZE A	FSCM NO. 63525	DWG. NO. SD: MC283F-1-025
	DRAWN A. Green	REV. C	
ISSUED	SCALE NONE	SHEET 2	OF 2