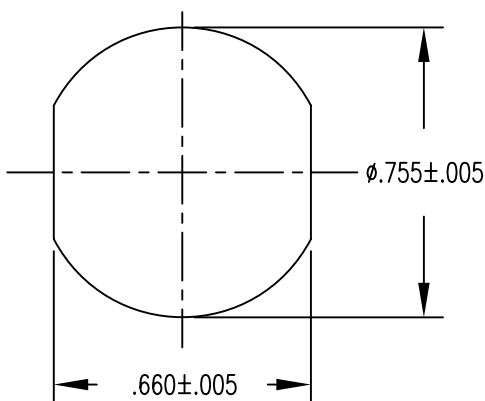


PANEL CUTOUT

MAXIMUM PANEL THICKNESS .125



FILE NAME: MC283-2.dwg

|   |              |          |   |          |      |
|---|--------------|----------|---|----------|------|
| UNLESS OTHERWISE SPECIFIED DIMENSIONS ARE IN INCHES TOLERANCES ARE:<br>FRACTIONS    DECIMALS    ANGLES<br>$\pm 1/64$ $.XX \pm .01$ $\pm 1/2^\circ$<br>$.XXX \pm .003$                             | CONTRACT NO. |          | <b>MIL-CON™</b><br>AN AFFILIATE OF THE PHOENIX COMPANY OF CHICAGO |          |      |
|   | APPROVALS    | DATE     | MC283-2 AUDIO CONNECTOR   |          |      |
| THE INFORMATION DISCLOSED IN THIS DOCUMENT IS CONFIDENTIAL AND PROPRIETARY TO MIL-CON, INC. AND MAY NOT BE USED FOR MANUFACTURE OR ANY OTHER PURPOSE WITHOUT THE WRITTEN CONSENT OF MIL-CON, INC. | DRAWN        | A. Green | DATE  | 12/11/90 |      |
|   | CHECKED      | A. Huezo | DATE  | 11/13/06 |      |
|   | ISSUED       |          |   |          |      |
| DO NOT SCALE DRAWING  | SIZE         | FSCM NO. | DWG. NO.  | REV.     |      |
|   | A            | 63525    | SD: MC283-2   | C        |      |
|   | SCALE        | NONE     | SHEET   | 1        | OF 2 |

SPECIFICATIONS:

- 1) MATERIALS:  
 SHELL AND PANEL NUT: STAINLESS STEEL  
 CONTACTS: COPPER ALLOY  
 INSULATOR: DIALLYL PHTHALATE PER MIL-M-14, TYPE MDG
- 2) FINISHES/COLOR:  
 SHELL AND PANEL NUT: PASSIVATED, SAND BLASTED  
 CONTACTS: .000030 GOLD PER MIL-G-45204, TYPE II,  
 CLASS 0; OVER .000100 NICKEL PER QQ-N-290  
 INSULATOR: BLUE
- 3) ELECTRICAL PROPERTIES:  
 OPERATING VOLTAGE: 60 VOLTS MAXIMUM POTENTIAL  
 CURRENT RATING: 0.5 AMPS MAXIMUM  
 DIELECTRIC BREAKDOWN: 500 VOLTS RMS  
 INSULATION RESISTANCE: 1000 MEGOHMS MINIMUM  
 CONTACT RESISTANCE (MATED): 0.04 OHMS MAXIMUM
- 4) MECHANICAL PROPERTIES:  
 AIR PRESSURE: 2.5 P.S.I.  
 WATER IMMERSION: 48 HOURS AT 6 FEET  
 DURABILITY: 1500 CYCLES, MATE AND UNMATE
- 5) MC283-2 RECEPTACLE MATES WITH:  
 MC617 - ALL VERSIONS  
 MC329 - ALL VERSIONS
- 6) DIMENSIONS ARE FOR REFERENCE ONLY, UNLESS OTHERWISE SPECIFIED

|                              |                        |                          |                         |                  |
|------------------------------|------------------------|--------------------------|-------------------------|------------------|
| <b>MIL-CON</b> <sup>TM</sup> | FILE NAME: MC283-2.dwg |                          |                         |                  |
|                              | SIZE<br><b>A</b>       | FSCM NO.<br><b>63525</b> | DWG. NO.<br>SD: MC283-2 | REV.<br><b>C</b> |
|                              | DRAWN A. Green         | SCALE NONE               | SHEET 2                 | OF 2             |
| ISSUED                       |                        |                          |                         |                  |