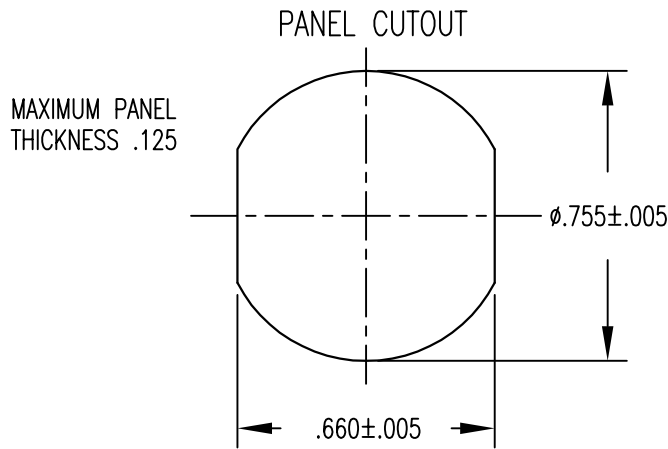
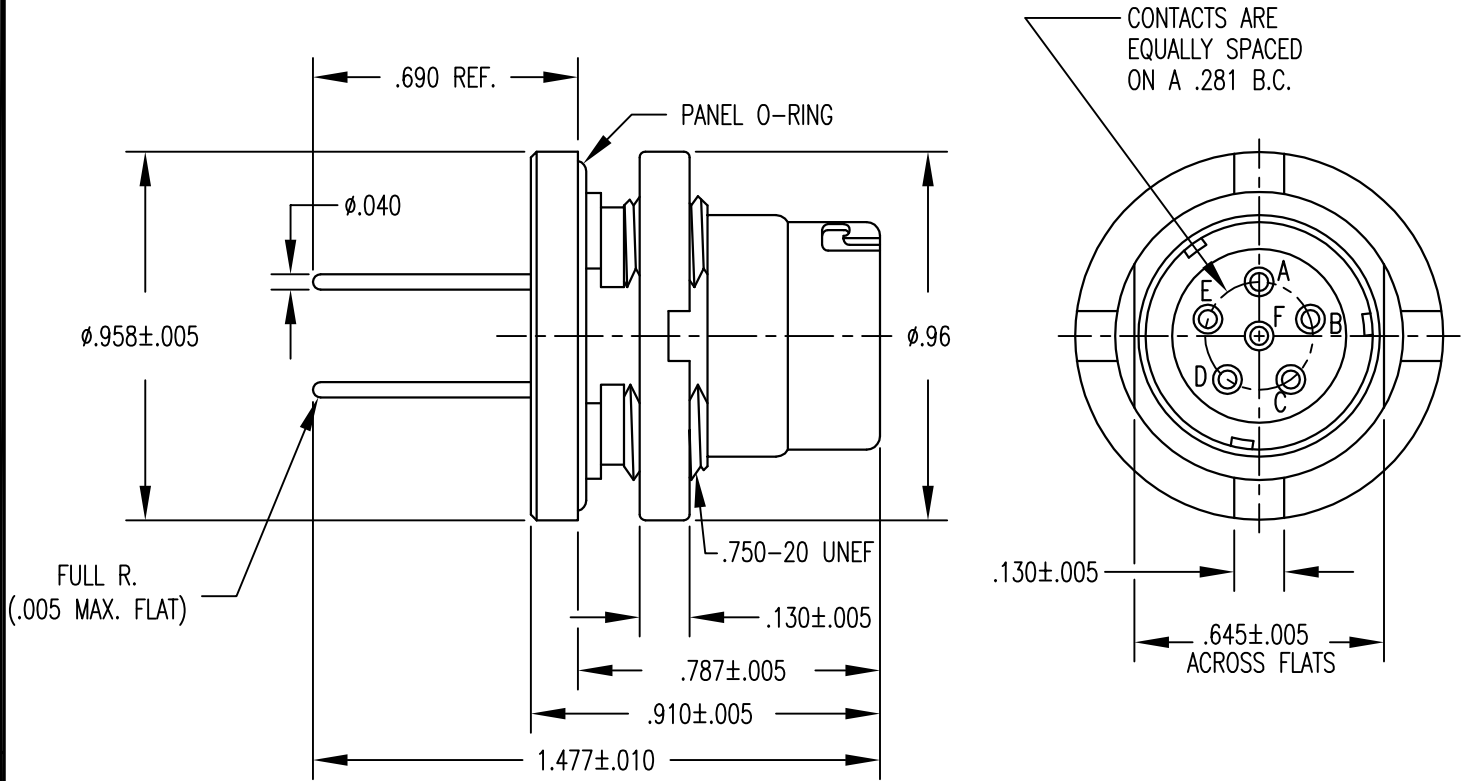


APPLICATIONS		REVISIONS			
NEXT ASSEMBLY	USED ON	REV.	DESCRIPTION	DATE	APPROVED
		A	RELEASED TO PRODUCTION	05-18-18	AH



WARNING - THIS DOCUMENT CONTAINS TECHNICAL DATA WHOSE EXPORT IS RESTRICTED BY THE ARMS EXPORT CONTROL ACT (TITLE 22, U.S.C., SEC 2751, ET SEQ.) OR THE EXPORT ADMINISTRATION ACT OF 1979, AS AMENDED, TITLE 50, U.S.C., APP 2401 ET SEQ. VIOLATIONS OF THESE EXPORT LAWS ARE SUBJECT TO SEVERE CRIMINAL PENALTIES. DISSEMINATE IN ACCORDANCE WITH PROVISIONS OF DOD DIRECTIVE 5230.25.

FILE NAME: MC283-25.dwg

UNLESS OTHERWISE SPECIFIED DIMENSIONS ARE IN INCHES TOLERANCES ARE: FRACTIONS    DECIMALS    ANGLES $\pm 1/64$ .XX $\pm .01$ $\pm 1/2^\circ$ .XXX $\pm .003$	CONTRACT NO.		<b>MIL-CON™</b> AN AFFILIATE OF THE PHOENIX COMPANY OF CHICAGO					
	APPROVALS	DATE				MC283-25 AUDIO CONNECTOR		
THE INFORMATION DISCLOSED IN THIS DOCUMENT IS CONFIDENTIAL AND PROPRIETARY TO MIL-CON, INC. AND MAY NOT BE USED FOR MANUFACTURE OR ANY OTHER PURPOSE WITHOUT THE WRITTEN CONSENT OF MIL-CON, INC.	DRAWN	A. Huezo	05/18/18	SIZE	FSCM NO.	DWG. NO.	REV.	
	CHECKED	A. Huezo	05/23/18	A	63525	SD: MC283-25	A	
	ISSUED			SCALE	NONE	SHEET	1	OF

SPECIFICATIONS:

- 1) MATERIALS:  
SHELL AND PANEL NUT: STAINLESS STEEL  
CONTACTS: COPPER ALLOY  
INSULATOR: DIALLYL PHTHALATE PER MIL-M-14, TYPE MDG
- 2) FINISHES/COLOR:  
SHELL AND PANEL NUT: PASSIVATED, SAND BLASTED  
CONTACTS: .000050 GOLD PER MIL-G-45204, TYPE II,  
CLASS 1; OVER .000100 NICKEL PER QQ-N-290  
INSULATOR: BLUE
- 3) ELECTRICAL PROPERTIES:  
OPERATING VOLTAGE: 60 VOLTS MAXIMUM POTENTIAL  
CURRENT RATING: 0.5 AMPS MAXIMUM  
DIELECTRIC BREAKDOWN: 500 VOLTS RMS  
INSULATION RESISTANCE: 1000 MEGOHMS MINIMUM  
CONTACT RESISTANCE (MATED): 0.04 OHMS MAXIMUM
- 4) MECHANICAL PROPERTIES:  
AIR PRESSURE: 2.5 P.S.I.  
WATER IMMERSION: 48 HOURS AT 6 FEET  
DURABILITY: 3000 CYCLES, MATE AND UNMATE  
OPERATING TEMPERATURE: -55°C TO +85°C
- 5) MC283-25 RECEPTACLE MATES WITH:  
MC617 - ALL VERSIONS  
MC329 - ALL VERSIONS  
INTERMATEABLE WITH ALL FIXED-PIN MIL-DTL-55116 PLUGS
- 6) DIMENSIONS ARE FOR REFERENCE ONLY, UNLESS OTHERWISE SPECIFIED

<b>MIL-CON</b> <sup>TM</sup>	FILE NAME: MC283-25.dwg			
	SIZE <b>A</b>	FSCM NO. <b>63525</b>	DWG. NO. SD: MC283-25	REV. A
	DRAWN A.Huezo	SCALE NONE	SHEET 2	OF 2
ISSUED				