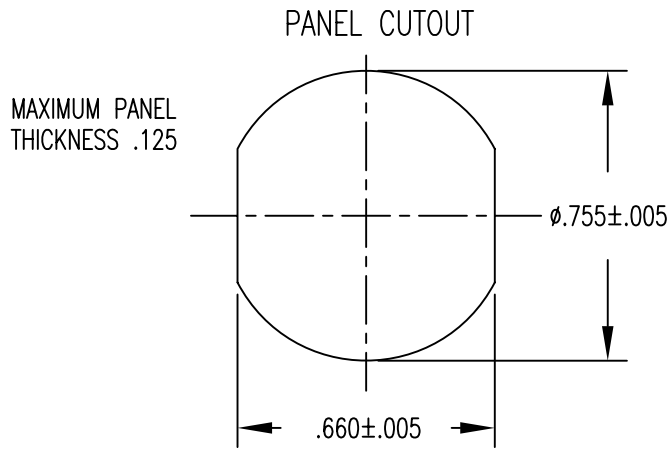
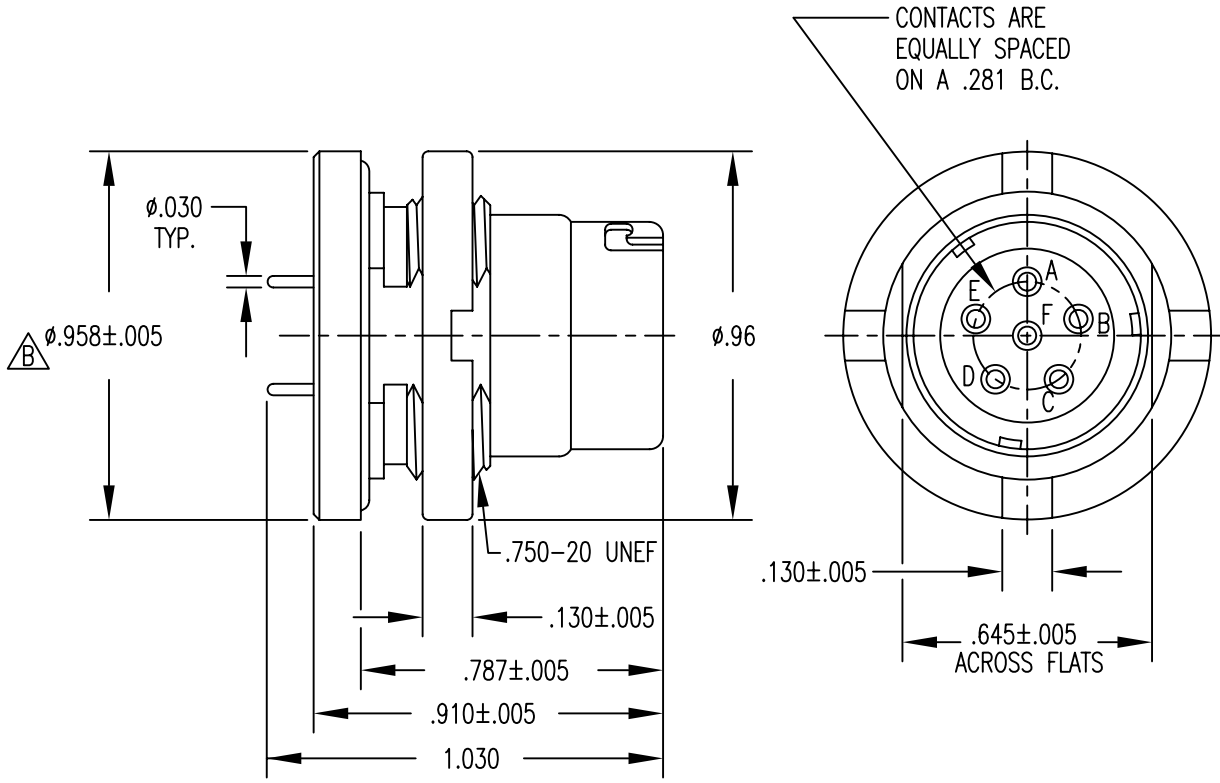


APPLICATIONS		REVISIONS			
NEXT ASSEMBLY	USED ON	REV.	DESCRIPTION	DATE	APPROVED
		A	RELEASED TO SALES	1-3-94	DRP
		B	DELETED NOTE 7; $\phi.958\pm.005$ WAS $\phi.960\pm.003$; ECO-05633	11-10-06	CBV



FILE NAME: MC283-14K.dwg

UNLESS OTHERWISE SPECIFIED DIMENSIONS ARE IN INCHES TOLERANCES ARE:

FRACTIONS	DECIMALS	ANGLES
$\pm 1/64$.XX $\pm .01$	$\pm 1/2^\circ$
	.XXX $\pm .003$	

CONTRACT NO.	
APPROVALS	DATE

MIL-CONTM
AN AFFILIATE OF THE PHOENIX COMPANY OF CHICAGO

MC283-14K AUDIO CONNECTOR

THE INFORMATION DISCLOSED IN THIS DOCUMENT IS CONFIDENTIAL AND PROPRIETARY TO MIL-CON, INC. AND MAY NOT BE USED FOR MANUFACTURE OR ANY OTHER PURPOSE WITHOUT THE WRITTEN CONSENT OF MIL-CON, INC.

DRAWN	A. Green	01/03/94
CHECKED	A. Huezio	11/13/06
ISSUED		

SIZE	FSCM NO.	DWG. NO.	REV.
A	63525	SD: MC283-14K	B

DO NOT SCALE DRAWING

SCALE NONE SHEET 1 OF 2

SPECIFICATIONS:

- 1) MATERIALS:
SHELL AND PANEL NUT: STAINLESS STEEL, TYPE 303
CONTACTS: COPPER ALLOY
INSULATOR: DIALLYL PHTHALATE PER MIL-M-14, TYPE MDG
- 2) FINISHES/COLOR:
SHELL AND PANEL NUT: BLACK OXIDE, PER MIL-C-13924, CLASS C
CONTACTS: .000030 GOLD PER MIL-G-45204, TYPE I,
CLASS 0; OVER .000100 NICKEL PER QQ-N-290
INSULATOR: BLUE
- 3) ELECTRICAL PROPERTIES:
OPERATING VOLTAGE: 60 VOLTS MAXIMUM POTENTIAL
CURRENT RATING: 0.5 AMPS MAXIMUM
DIELECTRIC BREAKDOWN: 500 VOLTS RMS
INSULATION RESISTANCE: 1000 MEGOHMS MINIMUM
CONTACT RESISTANCE (MATED): 0.04 OHMS MAXIMUM
- 4) MECHANICAL PROPERTIES:
AIR PRESSURE: 2.5 P.S.I.
WATER IMMERSION: 48 HOURS AT 6 FEET
DURABILITY: 3000 CYCLES, MATE AND UNMATE
- 5) MC283-14K RECEPTACLE MATES WITH:
MC617 - ALL VERSIONS
MC329 - ALL VERSIONS
- 6) DIMENSIONS ARE FOR REFERENCE ONLY, UNLESS OTHERWISE SPECIFIED

MIL-CON TM	FILE NAME: MC283-14K.dwg			
	SIZE A	FSCM NO. 63525	DWG. NO. SD: MC283-14K	REV. B
	DRAWN A. Green	SCALE NONE	SHEET 2	OF 2
ISSUED				