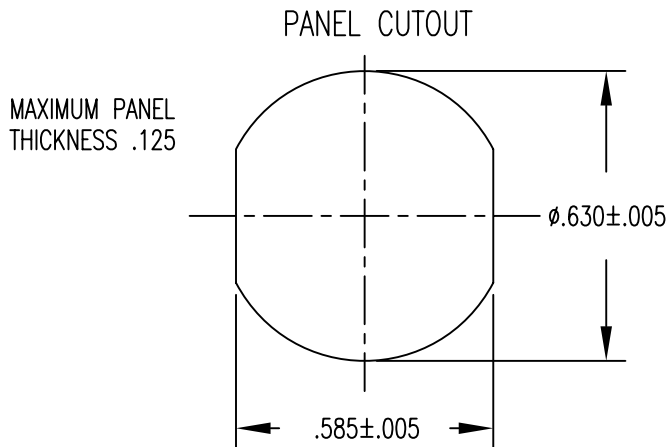
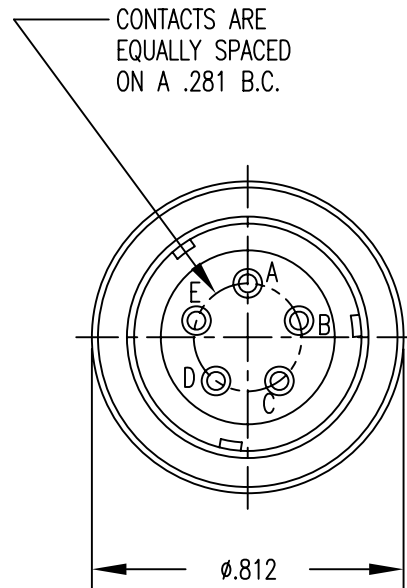
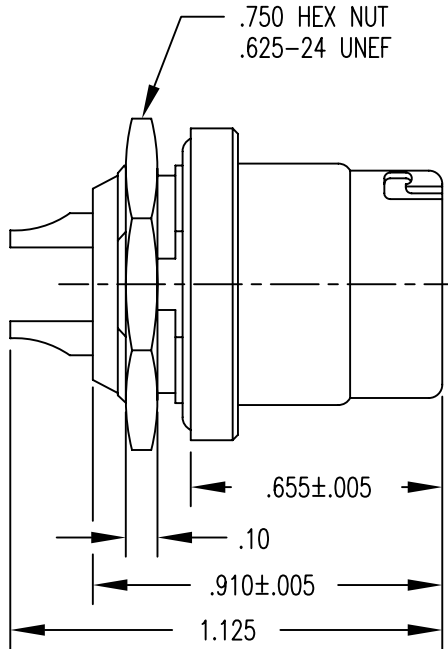


APPLICATIONS		REVISIONS			
NEXT ASSEMBLY	USED ON	REV.	DESCRIPTION	DATE	APPROVED
		A	RELEASED TO SALES; ENN:0066	1-15-88	DN
		B	REVISED	12-4-90	AG
		C	DELETED NOTE 7; ECO-05633	11-10-06	CBV



FILE NAME: MC183S.dwg

UNLESS OTHERWISE SPECIFIED  
DIMENSIONS ARE IN INCHES  
TOLERANCES ARE:  
FRACTIONS DECIMALS ANGLES  
 $\pm 1/64$  .XX  $\pm .01$   $\pm 1/2^\circ$   
.XXX  $\pm .003$

THE INFORMATION DISCLOSED IN  
THIS DOCUMENT IS CONFIDENTIAL  
AND PROPRIETARY TO MIL-CON,  
INC. AND MAY NOT BE USED FOR  
MANUFACTURE OR ANY OTHER  
PURPOSE WITHOUT THE WRITTEN  
CONSENT OF MIL-CON, INC.

CONTRACT NO.	
APPROVALS	DATE
DRAWN A. Green	12/04/90
CHECKED A. Huezo	11/13/06
ISSUED	

**MIL-CON**<sup>TM</sup>  
AN AFFILIATE OF THE PHOENIX COMPANY OF CHICAGO

MC183S AUDIO CONNECTOR

SIZE A	FSCM NO. 63525	DWG. NO. SD: MC183S	REV. C
-----------	-------------------	------------------------	-----------

DO NOT SCALE DRAWING

SCALE NONE

SHEET 1 OF 2

SPECIFICATIONS:

- 1) MATERIALS:  
SHELL AND PANEL NUT: STAINLESS STEEL  
CONTACTS: COPPER ALLOY  
INSULATOR: DIALLYL PHTHALATE PER MIL-M-14, TYPE MDG
- 2) FINISHES/COLOR:  
SHELL AND PANEL NUT: PASSIVATED, SAND BLASTED  
CONTACTS: .000030 GOLD PER MIL-G-45204, TYPE II,  
CLASS 0; OVER .000100 NICKEL PER QQ-N-290  
INSULATOR: BLUE
- 3) ELECTRICAL PROPERTIES:  
OPERATING VOLTAGE: 60 VOLTS MAXIMUM POTENTIAL  
CURRENT RATING: 0.5 AMPS MAXIMUM  
DIELECTRIC BREAKDOWN: 500 VOLTS RMS  
INSULATION RESISTANCE: 1000 MEGOHMS MINIMUM  
CONTACT RESISTANCE (MATED): 0.04 OHMS MAXIMUM
- 4) MECHANICAL PROPERTIES:  
AIR PRESSURE: 2.5 P.S.I.  
WATER IMMERSION: 48 HOURS AT 6 FEET  
DURABILITY: 3000 CYCLES, MATE AND UNMATE
- 5) MC183S RECEPTACLE MATES WITH:  
MC217 - ALL VERSIONS  
MC229 - ALL VERSIONS
- 6) DIMENSIONS ARE FOR REFERENCE ONLY, UNLESS OTHERWISE SPECIFIED

<b>MIL-CON</b> <sup>TM</sup>	FILE NAME: MC183S.dwg			
	SIZE <b>A</b>	FSCM NO. <b>63525</b>	DWG. NO. SD: MC183S	REV. <b>C</b>
	DRAWN A. Green	SCALE NONE	SHEET 2	OF 2
ISSUED				