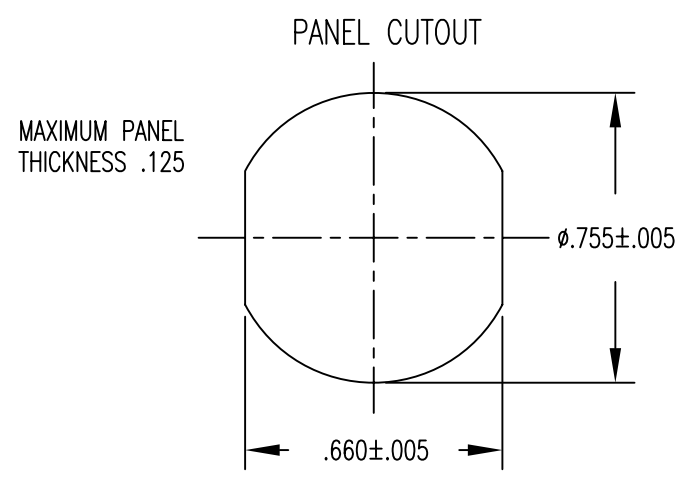
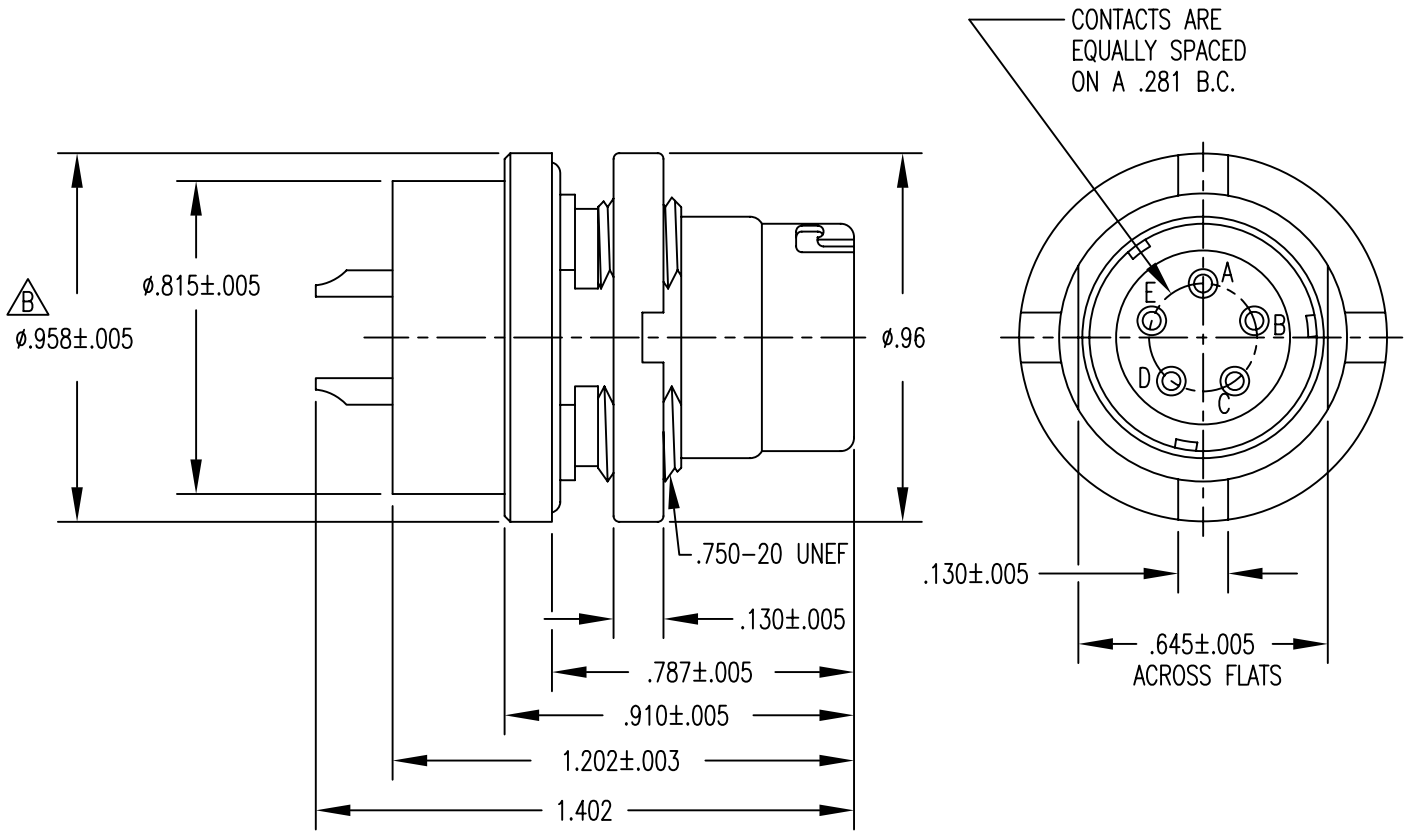


APPLICATIONS		REVISIONS			
NEXT ASSEMBLY	USED ON	REV.	DESCRIPTION	DATE	APPROVED

		-	RELEASED TO SALES	1-10-91	AG
		A	UPDATED; ECO2466	6-28-99	CBV
		B	DELETED NOTE 7; RENUMBERED NOTES; Ø.958±.005 WAS Ø.960±.003; ECO-05633	11-10-06	CBV



FILE NAME: MC183F-3-025.dwg

UNLESS OTHERWISE SPECIFIED DIMENSIONS ARE IN INCHES TOLERANCES ARE: FRACTIONS DECIMALS ANGLES $\pm 1/64$.XX ±.01 ±1/2° .XXX ±.003	CONTRACT NO.		MIL-CON™ AN AFFILIATE OF THE PHOENIX COMPANY OF CHICAGO		
	APPROVALS				
THE INFORMATION DISCLOSED IN THIS DOCUMENT IS CONFIDENTIAL AND PROPRIETARY TO MIL-CON, INC. AND MAY NOT BE USED FOR MANUFACTURE OR ANY OTHER PURPOSE WITHOUT THE WRITTEN CONSENT OF MIL-CON, INC.	DRAWN A. Green		01/10/91		MC183F-3-025 AUDIO CONNECTOR
	CHECKED A. Huezio		11/13/06		
	ISSUED				
DO NOT SCALE DRAWING		SIZE A	FSCM NO. 63525	DWG. NO. SD: MC183F-3-025	REV. B
		SCALE NONE		SHEET 1 OF 2	

SPECIFICATIONS:

- 1) MATERIALS:
 SHELL AND PANEL NUT: STAINLESS STEEL
 CONTACTS: COPPER ALLOY
 INSULATOR: DIALLYL PHTHALATE PER MIL-M-14, TYPE MDG
- 2) FINISHES/COLOR:
 SHELL AND PANEL NUT: PASSIVATED, SAND BLASTED
 CONTACTS: .000030 GOLD PER MIL-G-45204, TYPE II,
 CLASS 0; OVER .000100 NICKEL PER QQ-N-290
 INSULATOR: BLUE
- 3) ELECTRICAL PROPERTIES:
 OPERATING VOLTAGE: 60 VOLTS MAXIMUM POTENTIAL
 CURRENT RATING: 0.5 AMPS MAXIMUM
 DIELECTRIC BREAKDOWN: 500 VOLTS RMS
 INSULATION RESISTANCE: 1000 MEGOHMS MINIMUM
 CONTACT RESISTANCE (MATED): 0.04 OHMS MAXIMUM
- 4) MECHANICAL PROPERTIES:
 AIR PRESSURE: 2.5 P.S.I.
 WATER IMMERSION: 48 HOURS AT 6 FEET
 DURABILITY: 1500 CYCLES, MATE AND UNMATE
- 5) MC183F-3-025 RECEPTACLE MATES WITH:
 MC217 - ALL VERSIONS
 MC229 - ALL VERSIONS
- 6) DIMENSIONS ARE FOR REFERENCE ONLY, UNLESS OTHERWISE SPECIFIED
- 7) FILTER SPECIFICATIONS:
 CAPACITANCE (1 KHz,25°C): 3000 pF MAXIMUM
 INSERTION LOSS (MIL-STD-220,NO LOAD,25°C):
 30 Db. MIN. AT 100MHz TO 250 MHz
 50 Db. MIN. AT 250 MHz TO 1GHz
 WORKING VOLTAGE: 50 VDC
 DIELECTRIC VOLTAGE BREAKDOWN: 150 VDC
 INSULATION RESISTANCE (150 VDC,25°C): 1000 MEGOHMS MINIMUM
 RF CURRENT: 0.25 AMPS MAXIMUM



MIL-CON TM	FILE NAME: MC183F-3-025.dwg			
	SIZE A	FSCM NO. 63525	DWG. NO.	REV. B
	DRAWN A. Green	SD: MC183F-3-025		B
ISSUED	SCALE NONE	SHEET 2	OF 2	