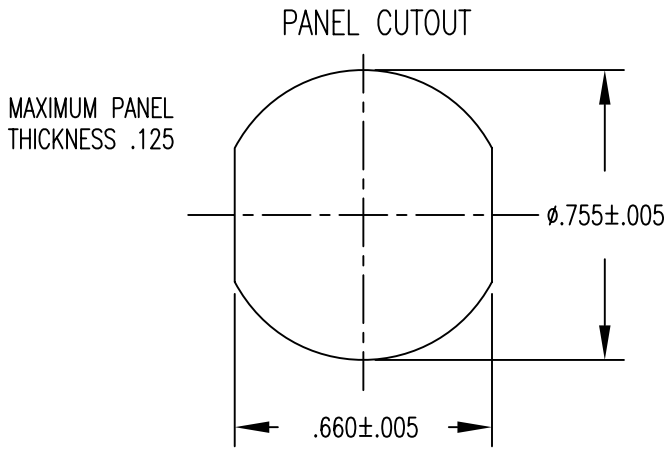
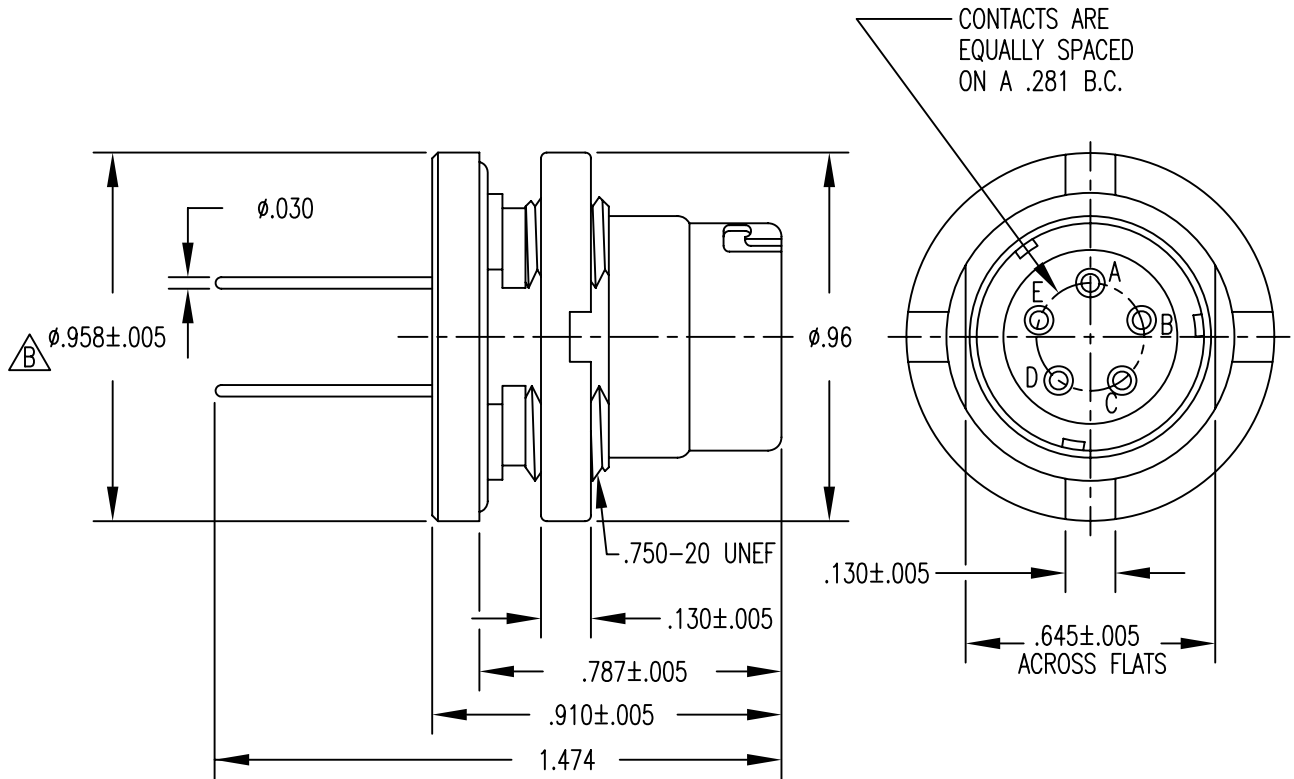


APPLICATIONS		REVISIONS			
NEXT ASSEMBLY	USED ON	REV.	DESCRIPTION	DATE	APPROVED
		A	RELEASED TO SALES	12-06-90	AG
		B	DELETED NOTE 7; $\phi.958\pm.005$ WAS $\phi.960\pm.003$; ECO-05633	11-10-06	CBV



FILE NAME: MC183-20.dwg

UNLESS OTHERWISE SPECIFIED DIMENSIONS ARE IN INCHES TOLERANCES ARE:

FRACTIONS	DECIMALS	ANGLES
$\pm 1/64$.XX $\pm .01$	$\pm 1/2^\circ$
	.XXX $\pm .003$	

CONTRACT NO.	
APPROVALS	DATE

MIL-CON™
AN AFFILIATE OF THE PHOENIX COMPANY OF CHICAGO

MC183-20 AUDIO CONNECTOR

THE INFORMATION DISCLOSED IN THIS DOCUMENT IS CONFIDENTIAL AND PROPRIETARY TO MIL-CON, INC. AND MAY NOT BE USED FOR MANUFACTURE OR ANY OTHER PURPOSE WITHOUT THE WRITTEN CONSENT OF MIL-CON, INC.

DRAWN	A. Green	12/06/90
CHECKED	A. Huezio	11/13/06
ISSUED		

SIZE	FSCM NO.	DWG. NO.	REV.
A	63525	SD: MC183-20	B

SPECIFICATIONS:

- 1) MATERIALS:
 SHELL AND PANEL NUT: STAINLESS STEEL
 CONTACTS: COPPER ALLOY
 INSULATOR: DIALLYL PHTHALATE PER MIL-M-14, TYPE MDG

- 2) FINISHES/COLOR:
 SHELL AND PANEL NUT: PASSIVATED, SAND BLASTED
 CONTACTS: .000030 GOLD PER MIL-G-45204, TYPE II,
 CLASS 0; OVER .000100 NICKEL PER QQ-N-290
 INSULATOR: BLUE

- 3) ELECTRICAL PROPERTIES:
 OPERATING VOLTAGE: 60 VOLTS MAXIMUM POTENTIAL
 CURRENT RATING: 0.5 AMPS MAXIMUM
 DIELECTRIC BREAKDOWN: 500 VOLTS RMS
 INSULATION RESISTANCE: 1000 MEGOHMS MINIMUM
 CONTACT RESISTANCE (MATED): 0.04 OHMS MAXIMUM

- 4) MECHANICAL PROPERTIES:
 AIR PRESSURE: 2.5 P.S.I.
 WATER IMMERSION: 48 HOURS AT 6 FEET
 DURABILITY: 3000 CYCLES, MATE AND UNMATE

- 5) MC183-20 RECEPTACLE MATES WITH:
 MC217 - ALL VERSIONS
 MC229 - ALL VERSIONS

- 6) DIMENSIONS ARE FOR REFERENCE ONLY, UNLESS OTHERWISE SPECIFIED

MIL-CON TM	FILE NAME: MC183-20.dwg		
	SIZE A	FSCM NO. 63525	DWG. NO. SD: MC183-20
	DRAWN A. Green		REV. B
ISSUED	SCALE NONE	SHEET 2 OF 2	