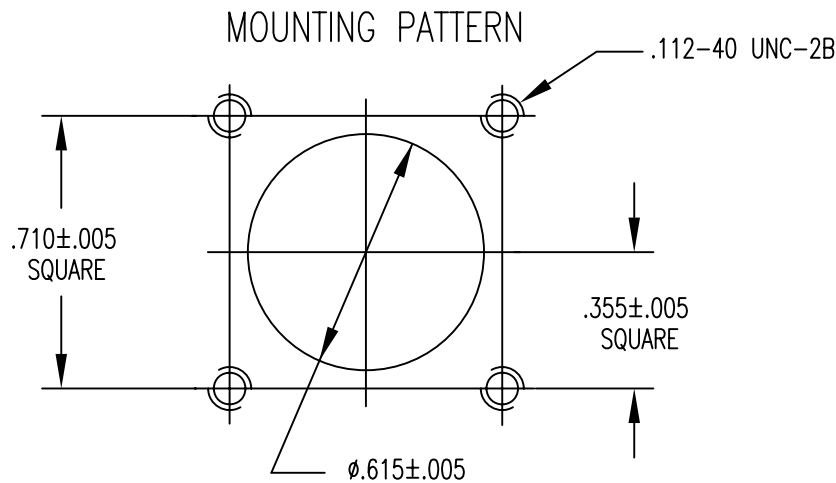
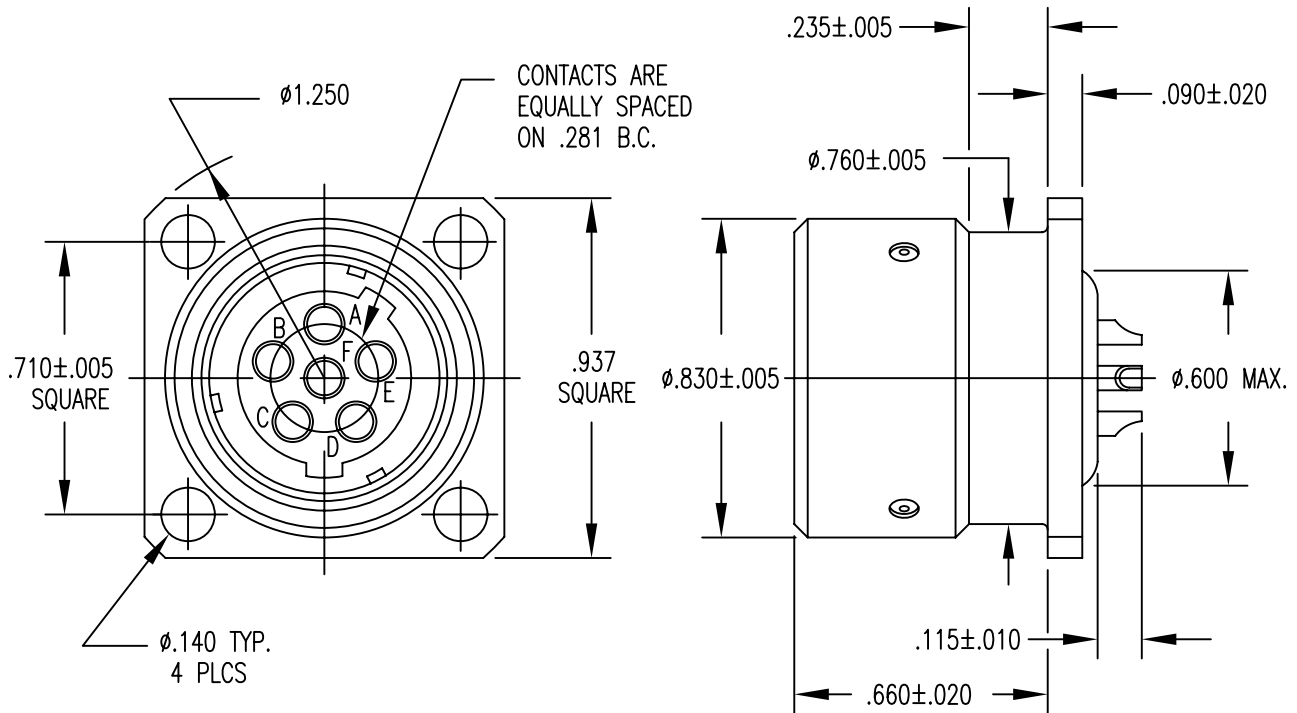


APPLICATIONS		REVISIONS			
NEXT ASSEMBLY	USED ON	REV.	DESCRIPTION	DATE	APPROVED
		-	RELEASED TO SALES;ENN:0016	5-18-87	DN
		A	REDRAWN;REVISED	5-3-90	AG
		B	REVISED	2-14-91	AG
		C	DELETED NOTE 7; ECO-05633	11-10-06	CBV



FILE NAME: MC-ON190305-1.dwg

UNLESS OTHERWISE SPECIFIED
DIMENSIONS ARE IN INCHES
TOLERANCES ARE:
FRACTIONS DECIMALS ANGLES
 $\pm 1/64$.XX $\pm .01$ $\pm 1/2^\circ$
.XXX $\pm .003$

CONTRACT NO.	
APPROVALS	DATE
DRAWN A. Green	05/03/90
CHECKED A. Huevo	11/13/06
ISSUED	

MIL-CONTM

AN AFFILIATE OF THE PHOENIX COMPANY OF CHICAGO

MC-ON190305-1 AUDIO CONNECTOR

THE INFORMATION DISCLOSED IN
THIS DOCUMENT IS CONFIDENTIAL
AND PROPRIETARY TO MIL-CON,
INC. AND MAY NOT BE USED FOR
MANUFACTURE OR ANY OTHER
PURPOSE WITHOUT THE WRITTEN
CONSENT OF MIL-CON, INC.

SIZE	FSCM NO.	DWG. NO.	REV.
A	63525	SD: MC-ON190305-1	C

DO NOT SCALE DRAWING

SCALE NONE

SHEET 1 OF 2

SPECIFICATIONS:

- 1) MATERIALS:
SHELL: STAINLESS STEEL (CLASS 304)
CONTACTS: BERYLLIUM COPPER
INSULATOR: DIALLYL PHTHALATE PER MIL-M-14. TYPE MDG
- 2) FINISHES/COLOR:
SHELL: PASSIVATED, SAND BLASTED
CONTACTS: 0.000100 GOLD PER MIL-G-45204, TYPE II, CLASS 1;
OVER 0.000100 NICKEL PER QQ-N-290
INSULATOR: BLUE
- 3) ELECTRICAL PROPERTIES:
OPERATING VOLTAGE: 60 VOLTS MAXIMUM POTENTIAL
CURRENT RATING: 0.5 AMPS MAXIMUM
DIELECTRIC BREAKDOWN: 500 VOLTS RMS
INSULATION RESISTANCE: 1000 MEGOHMS MINIMUM
CONTACT RESISTANCE: 0.040 OHMS MAXIMUM FROM 1 TO 1500 MATINGS
0.100 OHMS MAXIMUM FROM 1500 TO 3000 MATINGS
1.000 OHMS MAXIMUM AFTER 3001 MATINGS
- 4) MECHANICAL PROPERTIES:
AIR PRESSURE: 2.5 P.S.I.
DURABILITY: 3000 CYCLES, MATE AND UNMATE
OPERATING TEMPERATURE: -54°C TO +71°C
WATER IMMERSION: 48 HOURS AT 6 FEET
- 5) MC-ON190305-1 RECEPTACLE MATES WITH:
ON241775 - ALL VERSIONS
- 6) DIMENSIONS ARE FOR REFERENCE ONLY, UNLESS OTHERWISE SPECIFIED

MIL-CON TM	FILE NAME: MC-ON190305-1.dwg			
	SIZE	FSCM NO.	DWG. NO.	REV.
	A	63525	SD: MC-ON190305-1	C
DRAWN A. Green	SCALE	NONE	SHEET 2	OF 2
ISSUED				