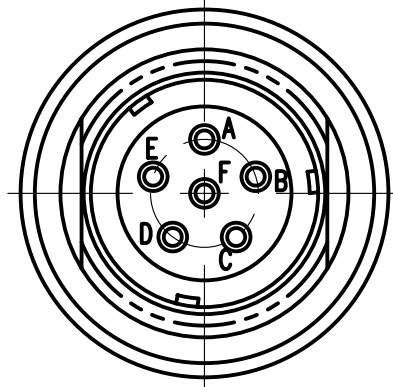
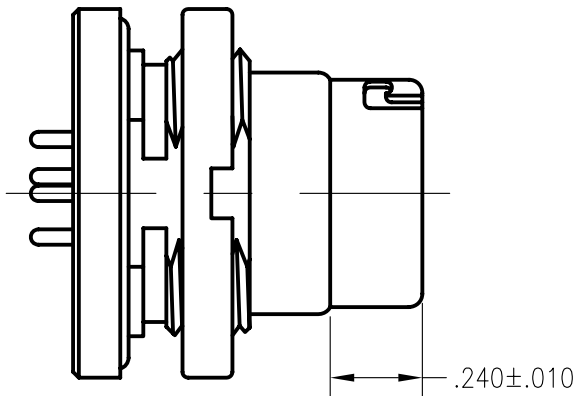
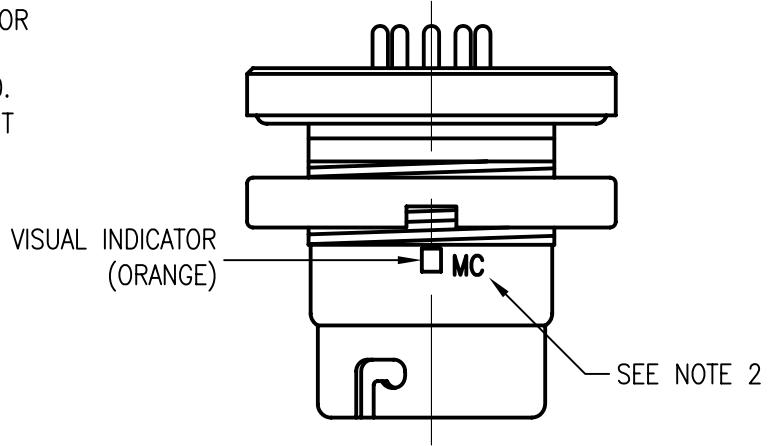


APPLICATIONS		REVISIONS			
NEXT ASSEMBLY	USED ON	REV.	DESCRIPTION	DATE	APPROVED
		P1	RELEASED TO SALES	01-21-05	CBV
		P2	UPDATED NOTE 1; ECO-05268	11-22-05	CBV
		P3	UPDATED NOTE 1; ECO-05479	05-30-06	ADP
		P4	UPDATED NOTE 1; ECO-06180	04-17-08	CBV

NOTES:

- 1) THE MC-A3012761-2 CONNECTOR MEETS THE ITT A3012761-2, REV. AU SCD EXCEPT FOR THE DIMENSION SHOWN:  
A)  $.250 \pm .010$  REDIMENSION TO  $.240 \pm .010$ .
- 2) "MC" SHALL BE INK-MARKED TO THE RIGHT OF THE VISUAL INDICATOR AS SHOWN.



FILE NAME: MC-A3012761-2.dwg

UNLESS OTHERWISE SPECIFIED  
DIMENSIONS ARE IN INCHES  
TOLERANCES ARE:  
FRACTIONS    DECIMALS    ANGLES  
 $\pm 1/64$      $.XX \pm .01$      $\pm 1/2^\circ$   
                   $.XXX \pm .003$

THE INFORMATION DISCLOSED IN  
THIS DOCUMENT IS CONFIDENTIAL  
AND PROPRIETARY TO MIL-CON,  
INC. AND MAY NOT BE USED FOR  
MANUFACTURE OR ANY OTHER  
PURPOSE WITHOUT THE WRITTEN  
CONSENT OF MIL-CON, INC.

CONTRACT NO.		<b>MIL-CON™</b> AN AFFILIATE OF THE PHOENIX COMPANY OF CHICAGO	
APPROVALS	DATE		
DRAWN C. Velasco	01/21/05	MC-A3012761-2 AUDIO CONNECTOR	
CHECKED A. Huevo	04/21/08		
ISSUED			

SIZE A	FSCM NO. 63525	DWG. NO. MC-A3012761-2	REV. P4
-----------	-------------------	---------------------------	------------