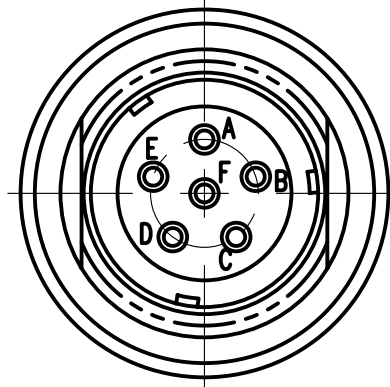
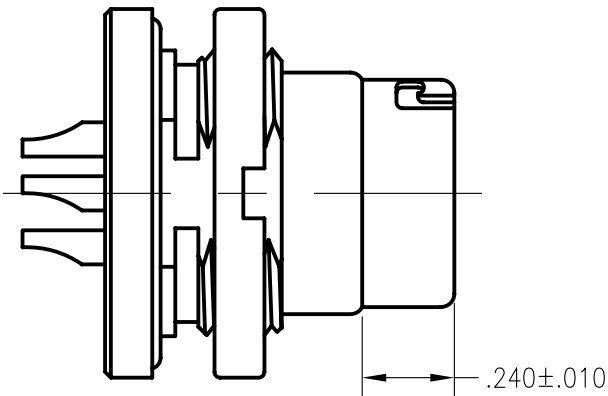
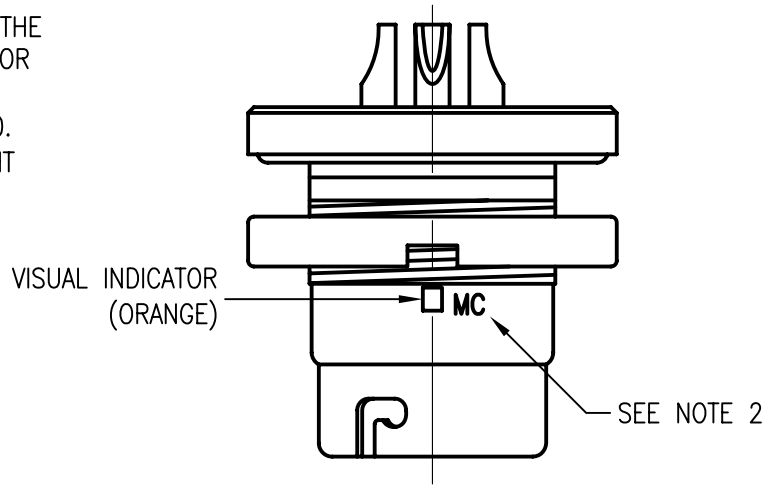


APPLICATIONS		REVISIONS			
NEXT ASSEMBLY	USED ON	REV.	DESCRIPTION	DATE	APPROVED
		P1	RELEASED TO SALES	01-27-05	CBV
		P2	UPDATED NOTE 1; ECO-05268	11-22-05	CBV
		P3	UPDATED NOTE 1; ECO-05479	05-30-06	ADP
		P4	UPDATED NOTE 1; ECO-06180	04-17-08	CBV

NOTES:

- THE MC-A3012761-1 CONNECTOR MEETS THE ITT A3012761-1, REV. AU SCD EXCEPT FOR THE DIMENSION SHOWN:
A) $.250 \pm .010$ REDIMENSION TO $.240 \pm .010$.
- "MC" SHALL BE INK-MARKED TO THE RIGHT OF THE VISUAL INDICATOR AS SHOWN.



FILE NAME: MC-A3012761-1.dwg

UNLESS OTHERWISE SPECIFIED DIMENSIONS ARE IN INCHES TOLERANCES ARE: FRACTIONS DECIMALS ANGLES $\pm 1/64$ $.XX \pm .01$ $\pm 1/2^\circ$ $.XXX \pm .003$	CONTRACT NO.		MIL-CON™ AN AFFILIATE OF THE PHOENIX COMPANY OF CHICAGO				
	APPROVALS	DATE				MC-A3012761-1 AUDIO CONNECTOR	
THE INFORMATION DISCLOSED IN THIS DOCUMENT IS CONFIDENTIAL AND PROPRIETARY TO MIL-CON, INC. AND MAY NOT BE USED FOR MANUFACTURE OR ANY OTHER PURPOSE WITHOUT THE WRITTEN CONSENT OF MIL-CON, INC.	DRAWN	C. Velasco	01/27/05	SIZE	FSCM NO.	DWG. NO.	REV.
	CHECKED	A. Huevo	04/21/08	A	63525	MC-A3012761-1	P4
	ISSUED			SCALE	NONE	SHEET 1	OF 1