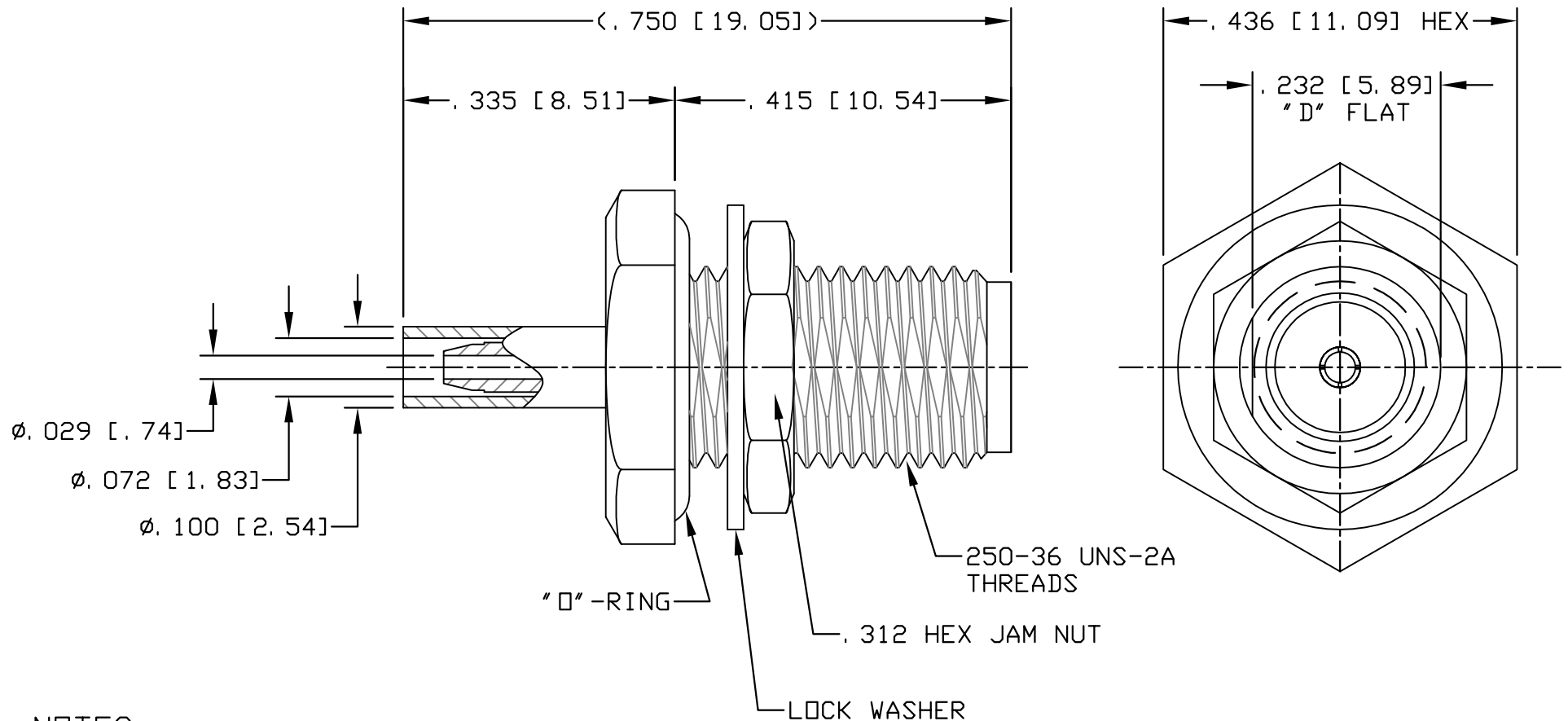


CAD DRAWING - NO MANUAL REVISIONS



NOTES:

1. DESIGN AND INTERFACE PER I. D. S. -20.
2. BULLET, JAM NUT, LOCK WASHER, "D"-RING & FERRULE ARE SHIPPED LOOSE.
3. RATED TO IP67 (UNMATED CONDITION).
4. MOUNTING HOLE PER DS-16A, FIGURE 3.
5. ACCOMMODATES HIROSE O68 (1.13mm) OR EQUIVALENT CABLES.
6. CRIMP USING .081 HEX DIE (DANIELS Y1547P).
7. BODY: PASSIVATED STAINLESS STEEL.

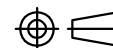
PALCO CONNECTOR

22 GREAT HILL RD., NAUGATUCK, CT 06770

UNLESS OTHERWISE SPECIFIED, PALCO WORKMANSHIP STANDARDS APPLY
 TOLERANCES ON: DECIMALS: XX ± .01 .XXX ± .005 ANGLES ±1/2° 32'
 DIMENSIONS IN INCHES OR (METRIC) DO NOT SCALE PRINTS

CATALOG ITEM

DRAWN JEM	CHECKED JEM	ENGINEER JEM	APPROVED JEM	FSCM 58167
--------------	----------------	-----------------	-----------------	---------------



DESCRIPTION SMA WATERPROOF
 REAR MOUNT BULKHEAD JACK

DATE 11/15/12	DRAWING NO. 20-1965-0298	PLATING OPT. P
------------------	-----------------------------	-------------------