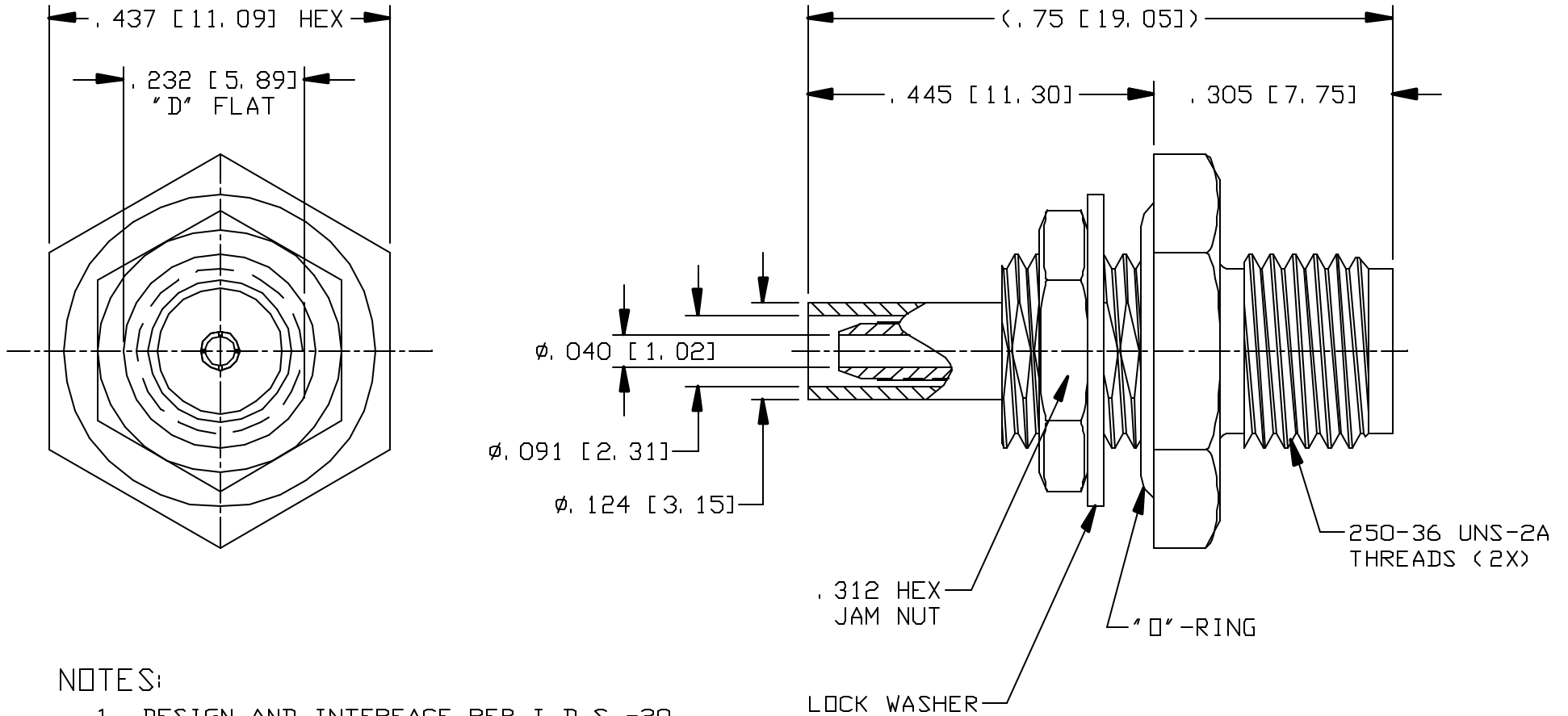


CAD DRAWING - NO MANUAL REVISIONS



NOTES:

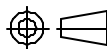
1. DESIGN AND INTERFACE PER I. D. S. -20.
2. BULLET, JAM NUT, LOCK WASHER, "O"-RING & FERRULE ARE SHIPPED LOOSE.
3. RATED TO IP67.
4. MOUNTING HOLE PER DS-16A, FIGURE 3.
5. ACCOMMODATES RG-178, HIROSE 088 (1.37mm) OR EQUIVALENT CABLES.
6. CRIMP USING .108 HEX DIE (M22520/5-03).

A	PER ECN 11450	09/19/12	JEM
REV.	DESCRIPTION	DATE	APPR.

PALCO CONNECTOR

22 GREAT HILL RD., NAUGATUCK, CT 06770
 UNLESS OTHERWISE SPECIFIED, PALCO WORKMANSHIP STANDARDS APPLY
 TOLERANCES ON: DECIMALS: XX ± .01 .XXX ± .005 ANGLES ±1/2° 32'
 DIMENSIONS IN INCHES OR (METRIC) DO NOT SCALE PRINTS

CATALOG ITEM

DRAWN JEM	CHECKED MS	ENGINEER JEM	APPROVED MS	FSCM 58167
		DESCRIPTION SMA WATERPROOF FRONT MOUNT BULKHEAD JACK		
DATE 09/07/12	DRAWING NO. 20-1917-0498		PLATING OPT. G, P	