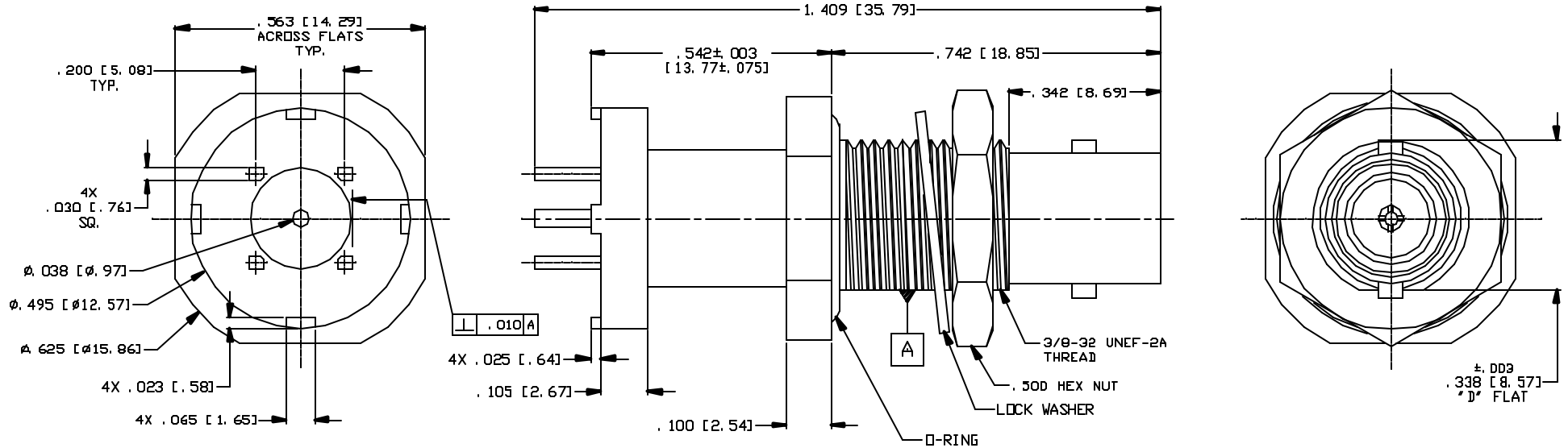
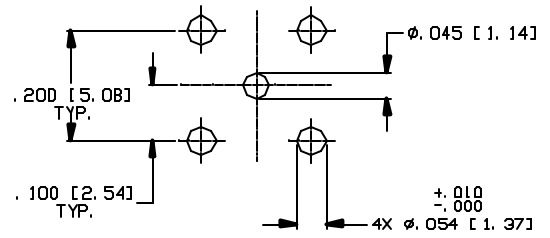
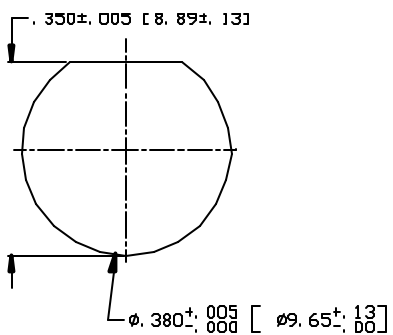


CAD DRAWING - NO MANUAL REVISIONS



NOTES:

1. DESIGN AND INTERFACE PER MINI-BNC.
2. NUT, WASHER AND GASKET ARE SHIPPED LOOSE.
3. MUST MEET A 14.5 PSI (10 METER), 2 MINUTES LEAK TEST. (TEST 5 COMPLETE CONNECTORS PER LOT).
4. THIS IS A TRUE 75 OHM CONNECTOR ALL THE WAY TO THE PCB.
5. FREQUENCY RANGE = 0 TO 4.0 GHZ
6. WORKING VOLTAGE 500 VMS
7. DIELECTRIC WITHSTANDING VLOTAGE = 1500 VMS
8. REFLECTION FACTOR (VSWR) 1.06 MAX DC - 1.5 GHZ
1.33 MAX 1.5 - 4.0 GHZ
9. CONTACT RESISTANCE: CENTER CONTACT 1.5m OHM
OUTER CONTACT 1.0m OHM
10. INSULATION RESISTANCE > 5000 MEG OHM



REV.	DESCRIPTION	DATE	APPR.
C	PER ECN 11528	12/20/12	JEM
B	PER ECN 10176	02/09/10	JEM
A	PER ECN 10052	10/21/09	JEM

PALCO CONNECTOR
 22 GREAT HILL RD., NAUGATUCK, CT 06770
 UNLESS OTHERWISE SPECIFIED, PALCO WORKMANSHIP STANDARDS APPLY
 TOLERANCES ON: DECIMALS: XX ± .01 .XXX ± .005 ANGLES ±1/2° 32'
 DIMENSIONS IN INCHES OR (METRIC) DO NOT SCALE PRINTS

DRAWN	CHECKED	ENGINEER	APPROVED	FSCM
MS	JEM	MS	JEM	58167
DATE		DRAWING NO.		PLATING OPT.
09/21/09		02643		E

DESCRIPTION: MINI-BNC, BULKHEAD JACK, WATERPROOF, PC MOUNT